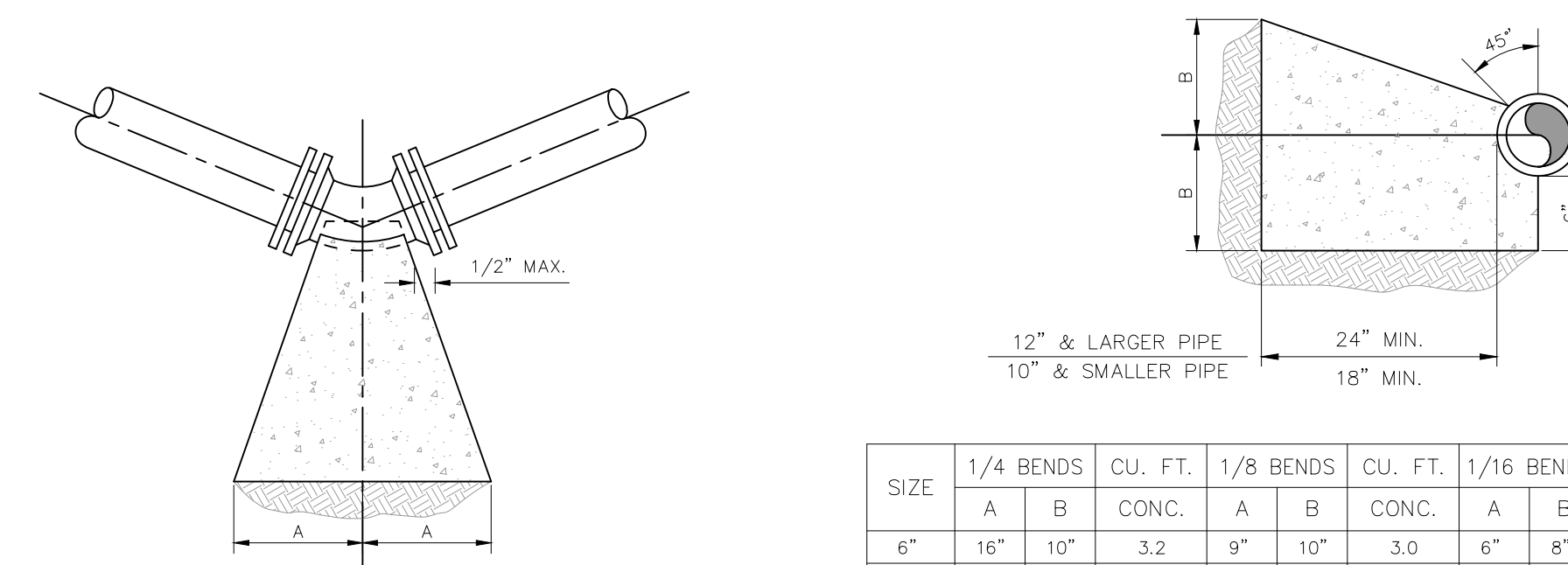


SIZE	TEE		CU. FT.
	A	B	
6"	10"	12"	3.5
8"	13"	16"	5.4
10"	16"	20"	9.4
12"	18"	24"	16.6
14"	22"	27"	23.2
16"	24"	30"	28.6
18"	26"	32"	36.2

- NOTES:**
- ALL BEARING SURFACES TO BE CARRIED TO UNDISTURBED SOIL.
 - THESE TABLES SHOW MINIMUM SIZE THRUST BLOCKS FOR GOOD SOIL (A-1 THRU A-3, CLEAN SAND AND GRAVELS).
 - POOR SOIL (A-4 THRU A-8, SILTY SOILS, CLAYS, MUCK AND PEAT) WILL REQUIRE LARGER THRUST BLOCKS.

SIZE	PLUG		CU. FT.
	C	D	
6"	10"	21"	2.6
8"	12"	29"	4.5
10"	14"	36"	6.9
12"	16"	41"	9.0
14"	18"	48"	12.3
16"	20"	54"	15.2
18"	22"	60"	19.2

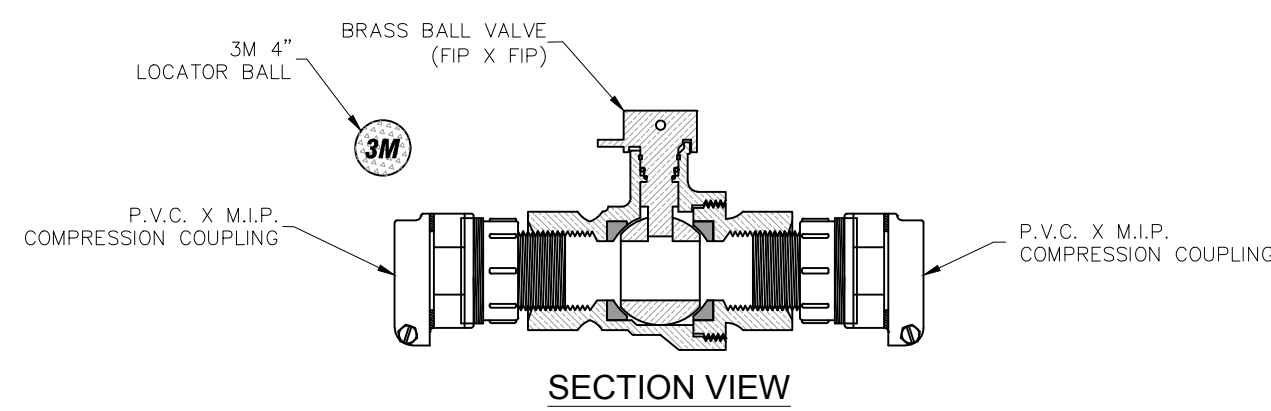
1 **THRUST BLOCK DETAIL**
N.T.S.



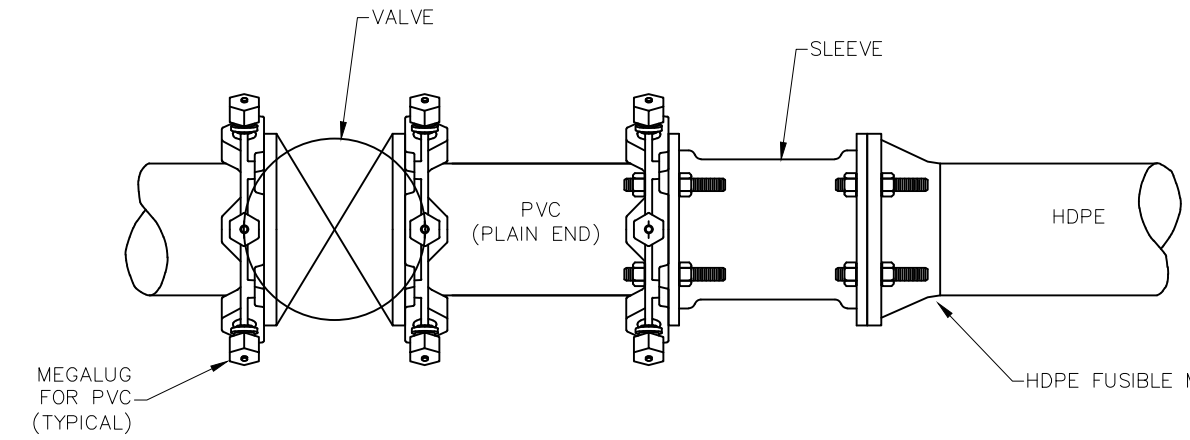
SIZE	1/4 BENDS		CU. FT.	1/8 BENDS		CU. FT.	1/16 BENDS		CU. FT.
	A	B		A	B		A	B	
6"	16"	10"	3.2	9"	10"	3.0	6"	8"	1.3
8"	22"	13"	7.2	12"	13"	3.7	8"	10"	2.1
10"	26"	17"	11.5	14"	17"	5.9	10"	13"	3.6
12"	29"	21"	21.1	16"	21"	8.6	11"	16"	6.6
14"	35"	24"	29.8	19"	24"	14.9	12"	20"	8.9
16"	38"	27"	37.8	21"	27"	19.1	12"	24"	11.2
18"	42"	29"	47.8	22"	29"	24.2	13"	26"	14.2

- NOTES:**
- ALL BEARING SURFACES TO BE CARRIED TO UNDISTURBED SOIL.
 - THESE TABLES SHOW MINIMUM SIZE THRUST BLOCKS FOR GOOD SOIL (A-1 THRU A-3, CLEAN SAND AND GRAVELS).
 - POOR SOIL (A-4 THRU A-8, SILTY SOILS, CLAYS, MUCK AND PEAT) WILL REQUIRE LARGER THRUST BLOCKS.

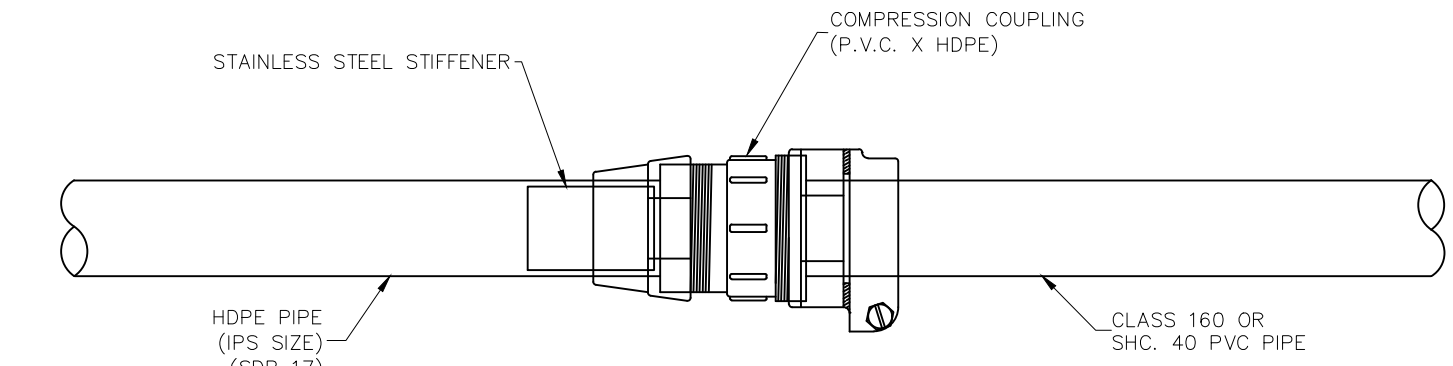
2 **THRUST BLOCK DETAIL**
N.T.S.



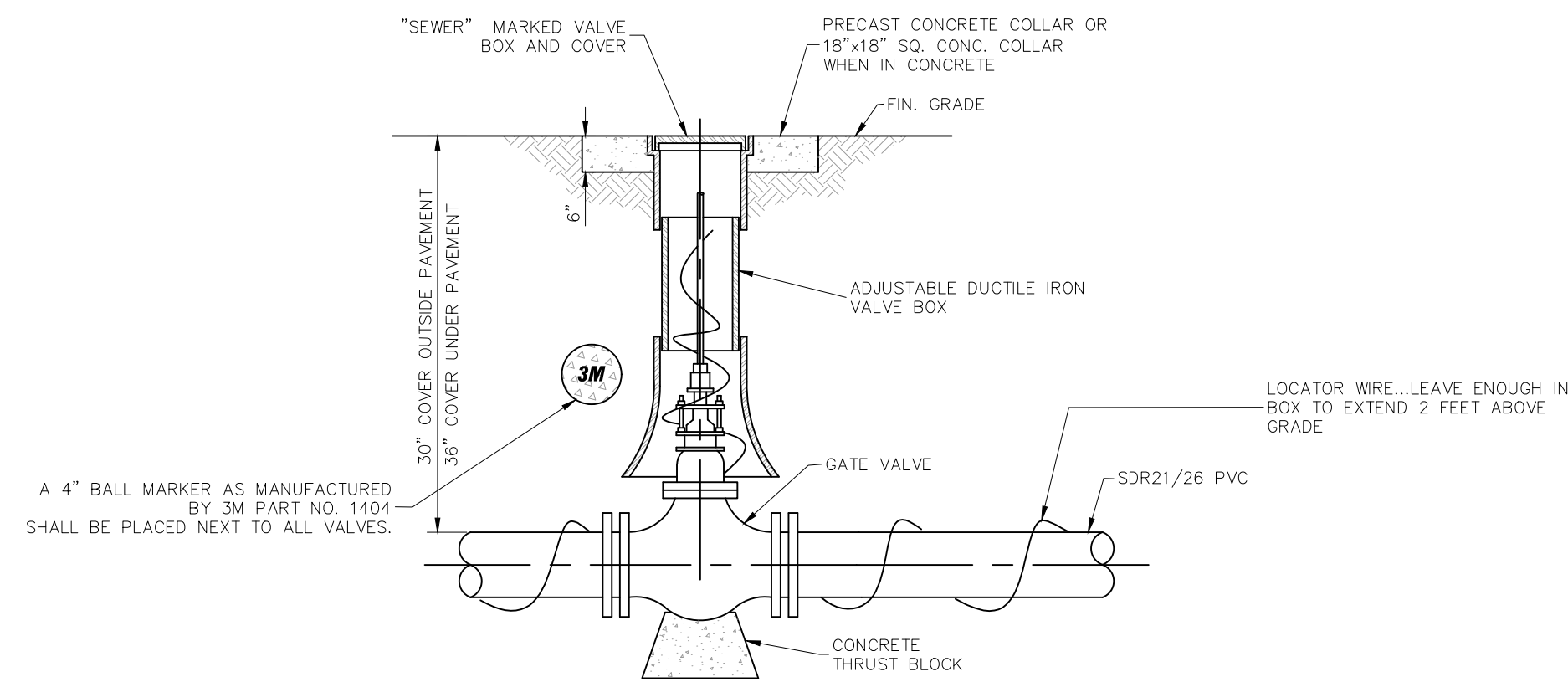
3 **TYPICAL BRASS BALL VALVE CONNECTION**
N.T.S.



4 **HDPE-TO-PVC CONNECTION**
(3" DIAMETER AND LARGER)
N.T.S.

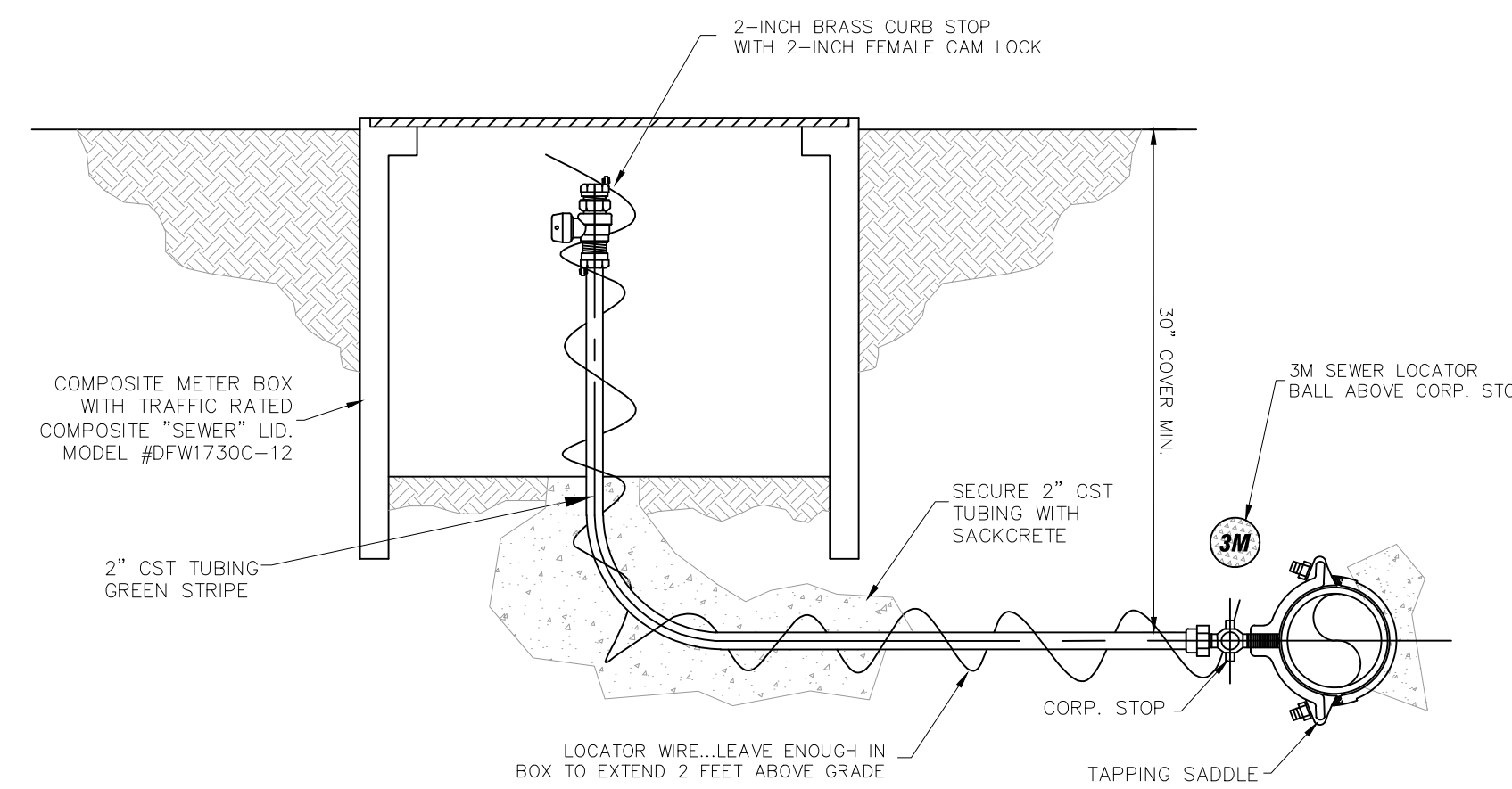


5 **HDPE TO PVC TRANSITION**
(UP TO 2" DIAMETER)
N.T.S.

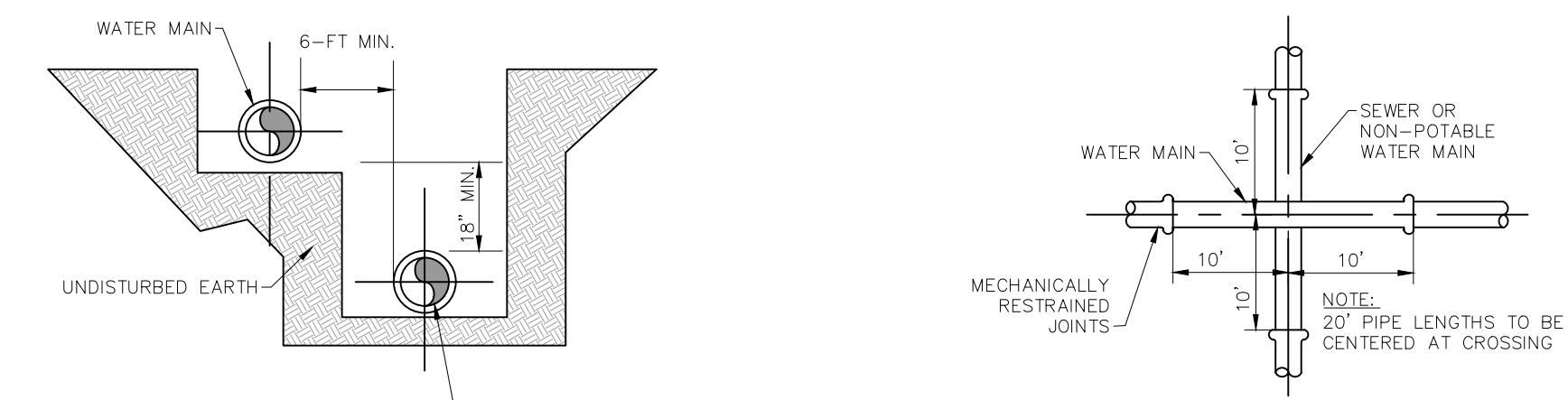


6 **TYPICAL INLINE VALVE**
N.T.S.

APPROVED FOR 2018



7 **TYPICAL CLEANOUT**
N.T.S.



- NOTES:**
- WHERE A 10 FOOT PARALLEL SEPARATION CANNOT BE MAINTAINED BETWEEN A WATER MAIN AND A SEWER MAIN OR NON-POTABLE WATER MAIN, THEN THE WATER MAIN SHALL BE LAID IN A SEPARATE TRENCH OR ON AN UNDISTURBED EARTH SHELF AT LEAST 18 INCHES ABOVE THE TOP OF THE SEWER MAIN OR NON-POTABLE WATER MAIN AND 6 FEET HORIZONTALLY FROM THE EDGE OF THE SEWER MAIN OR NOT-POTABLE WATER MAIN.
 - ANYTHING LESS THAN SHOWN MUST BE APPROVED BY THE FLORIDA DEPARTMENT OF ENVIRONMENTAL PROTECTION.

8 **WATER/SEWER SEPARATION DETAIL**
MUST BE APPROVED BY FDEP
N.T.S.