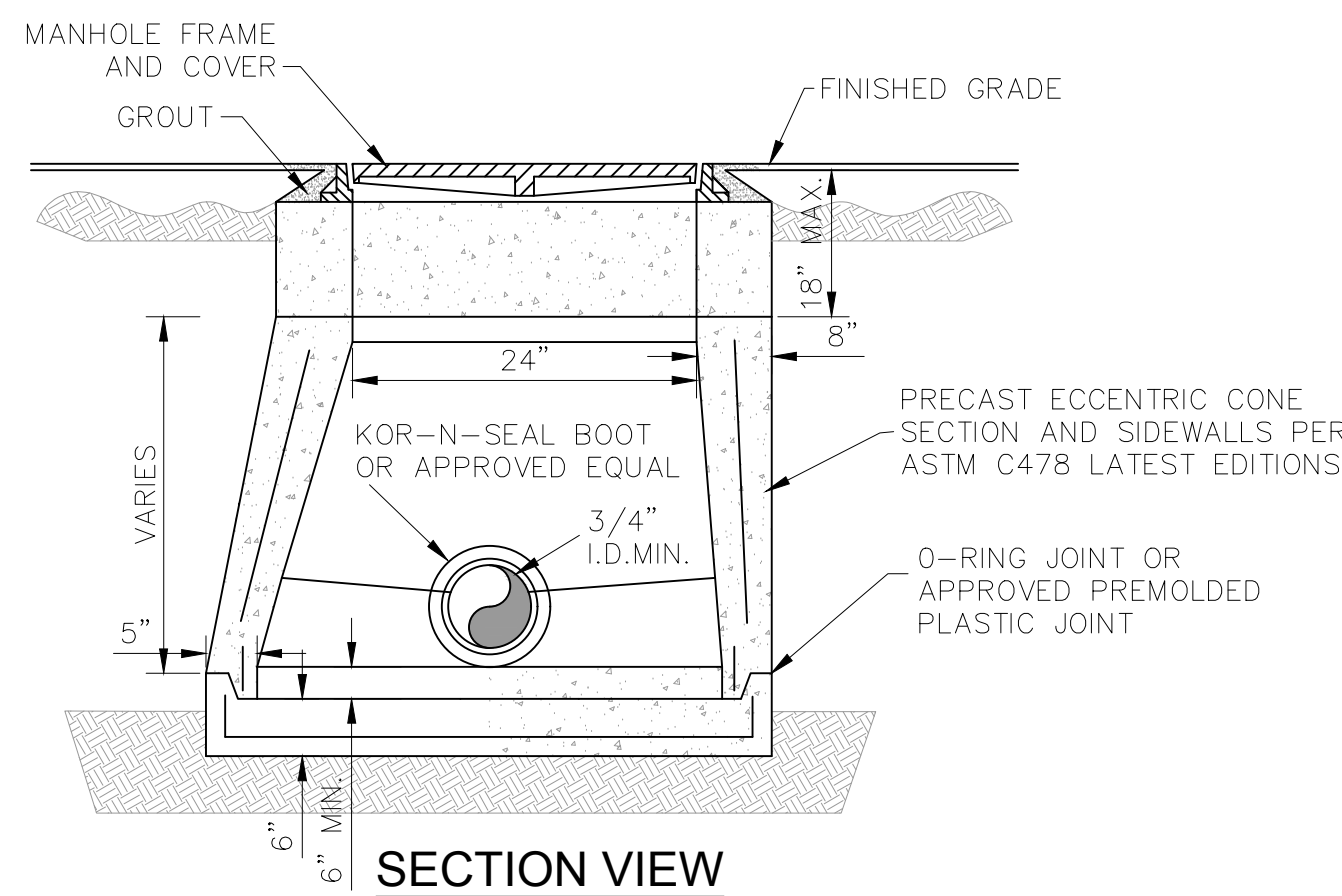
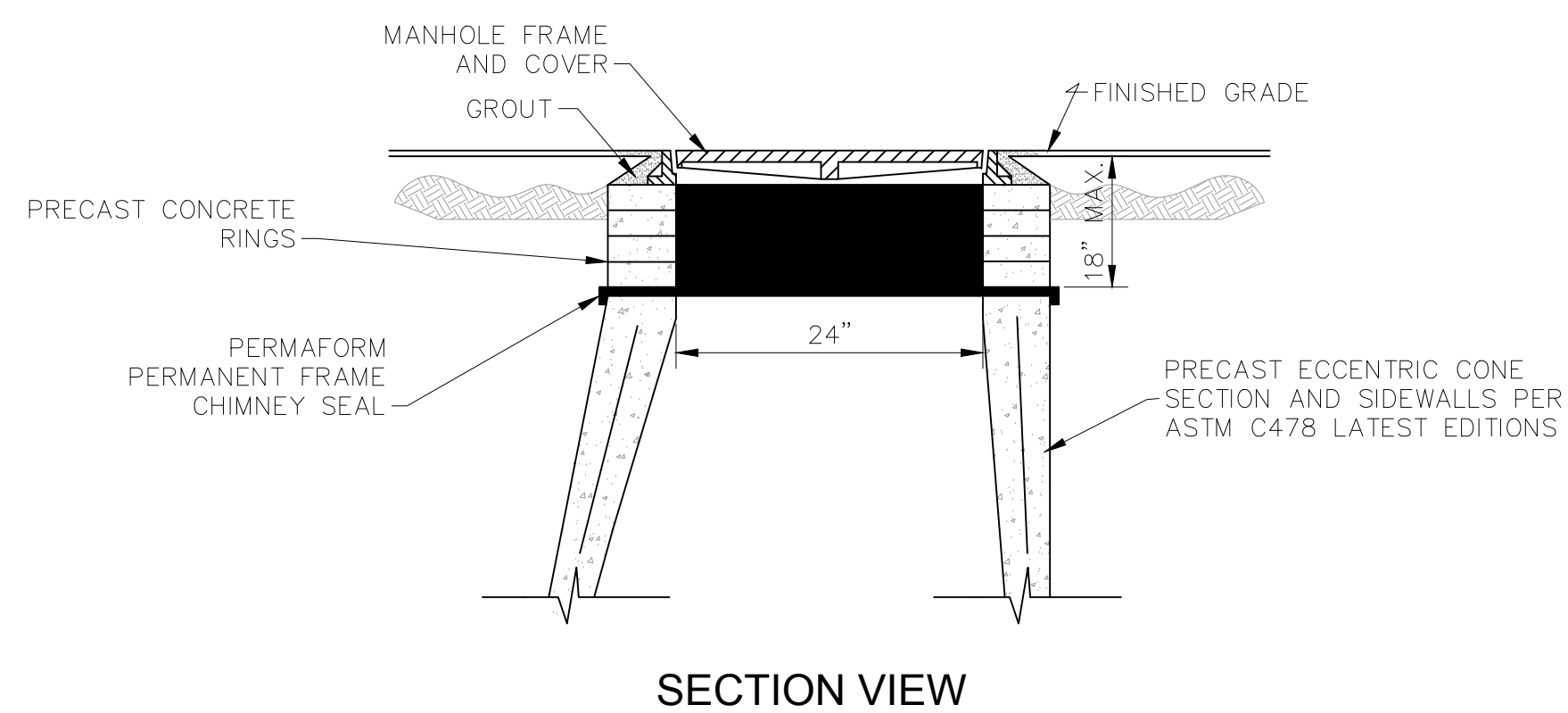


1 **SANITARY SEWER DROP MANHOLE**
N.T.S. (8"-21" SEWERS)



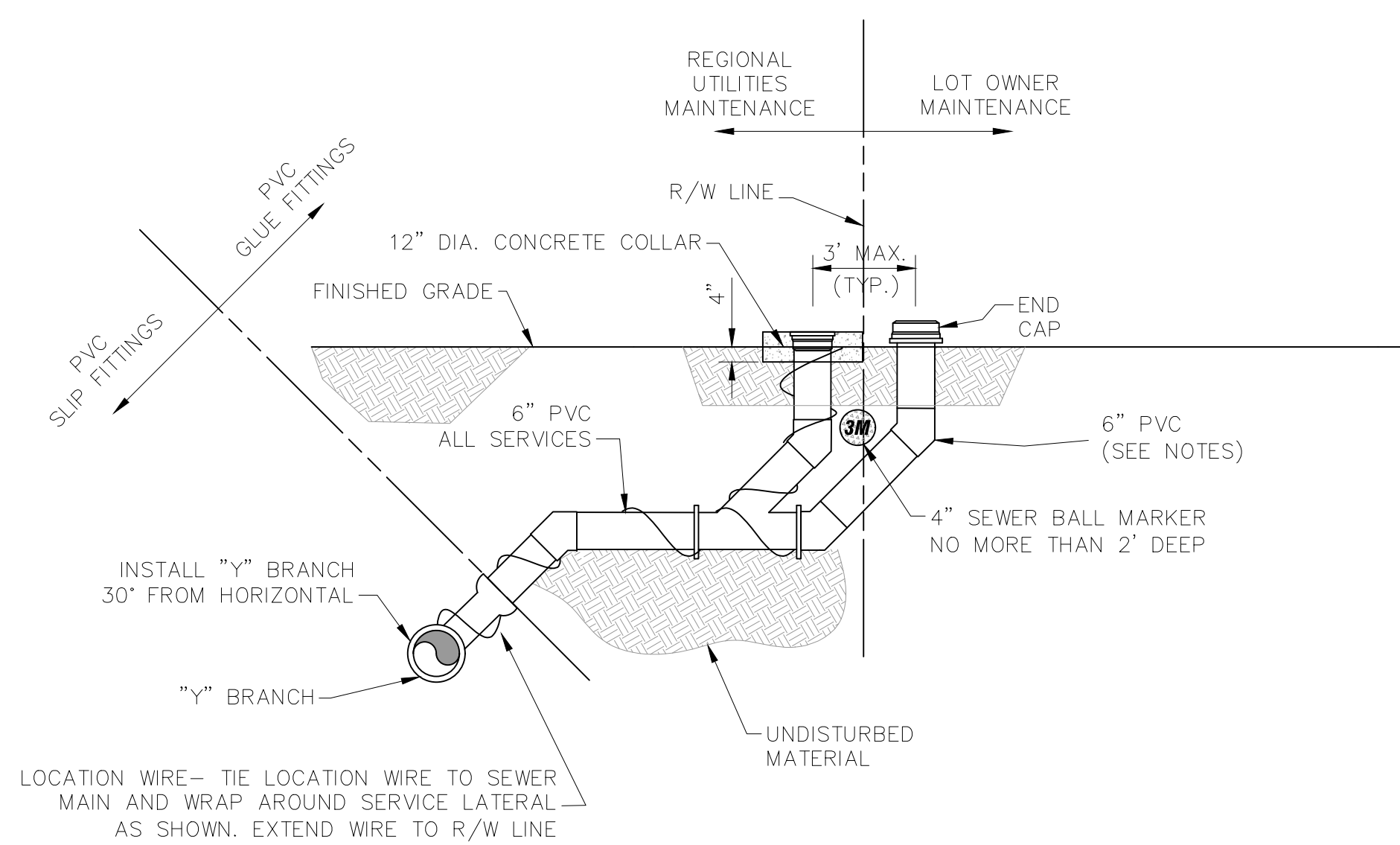
3 **SANITARY SEWER SHALLOW DEPTH MANHOLE**
N.T.S. (8"-21" SEWERS)



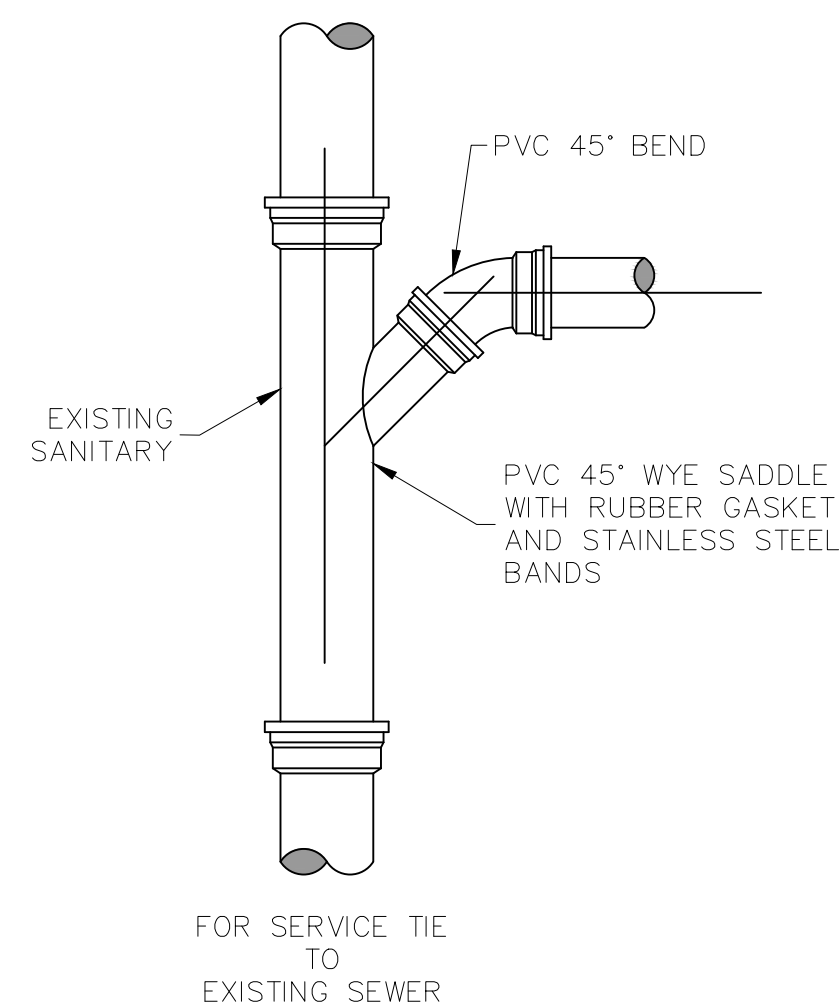
5 **TYPICAL MANHOLE RISER DETAIL**
N.T.S.

NOTES

1. PERMAFORM HDPE CHIMNEY FRAME SEAL, PART #CHFRSE, TO BE INSTALLED ON ALL MANHOLES WHERE RISERS ARE NECESSARY. REFER TO MANUFACTURER'S INSTALLATION INSTRUCTIONS.



2 **6" SANITARY SEWER SERVICE LATERAL**
N.T.S.



4 **SANITARY SEWER SERVICE TO EXISTING GRAVITY LINE CONNECTION DETAILS**
N.T.S.

APPROVED FOR 2018

GENERAL NOTES:

1. REFER TO REGIONAL UTILITIES' LATEST WRITTEN SPECIFICATIONS REGARDING NEW TESTING PROCEDURES FOR GRAVITY SEWER SYSTEMS.
2. THE CONTRACTOR IS RESPONSIBLE FOR OBTAINING AND MEETING THE REQUIREMENTS OF REGIONAL UTILITIES STANDARD DETAILS AND SPECIFICATIONS LATEST EDITION.
3. DEVELOPERS OF PRIVATE PROJECTS SHALL PROVIDE ALL WETLANDS PERMITS NECESSARY FOR UTILITY CONSTRUCTION.
4. ALL MANHOLES SHALL HAVE FINAL PAVEMENT AROUND THEM FOR PROTECTION PRIOR TO ACCEPTANCE BY REGIONAL UTILITIES.
5. ALL SEWER MAINS SHALL BE COVERED TO FINISH GRADING FOR PROTECTION PRIOR TO ACCEPTANCE BY REGIONAL UTILITIES.

SANITARY SEWER GENERAL NOTES

1. CONTRACTOR SHALL COORDINATE INSTALLATION OF SANITARY SEWERS WITH ALL OTHER UTILITIES PRIOR TO COMMENCING CONSTRUCTION.
2. VIDEO INSPECTION IS REQUIRED FOR ALL GRAVITY SEWER LINES AND LATERALS PRIOR TO PAVING. A FULL REPORT SHALL BE GIVEN TO REGIONAL UTILITIES UPON COMPLETION. COST OF VIDEO INSPECTION SHALL BE DONE BY THE CONTRACTOR.
3. NO SANITARY SEWER CONSTRUCTION SHALL COMMENCE UNTIL SHOP DRAWING SUBMITTALS HAVE BEEN APPROVED.
4. A PRE-CONSTRUCTION CONFERENCE IS REQUIRED PRIOR TO THE START OF CONSTRUCTION. CONTRACTOR SHALL NOTIFY REGIONAL UTILITIES 48 HOURS PRIOR TO COMMENCEMENT OF CONSTRUCTION. A REGIONAL UTILITIES REPRESENTATIVE MUST WITNESS ALL TIES TO EXISTING LINES AND TESTS OF NEW LINES.
5. ENGINEER SHALL PROVIDE AS-BUILT DRAWINGS IN ACCORDANCE WITH REGIONAL UTILITIES SPECIFICATIONS.
6. LOCATOR BALLS AS MANUFACTURED BY 3M PART NO. 1404 TO BE PLACED ON NORTH SIDE OF ALL MANHOLES NOT WITHIN PAVED AREAS. MANHOLES OUTSIDE OF PAVED AREAS SHALL BE CONSTRUCTED WITH TOP 6" ABOVE GRADE.
7. ALL GRAVITY SEWER SHALL BE VISUALLY INSPECTED (I.E. LAMPED) BY REGIONAL UTILITIES PRIOR TO FINAL ACCEPTANCE.
8. ALL MECHANICAL JOINT CONNECTIONS SHALL BE RESTRAINED USING MEGA-LUG TYPE RESTRAINTS OR APPROVED EQUAL.
9. MIN. SERVICE SLOPE: 6" = 1/8" PER FOOT.
10. USE 6" SERVICES FOR ALL SINGLE FAMILY HOME CONNECTIONS. USE 6" SERVICES FOR MULTI-FAMILY AND COMMERCIAL CONNECTIONS.
11. INSTALL 12 GAUGE LOCATOR WIRE AROUND ALL SERVICES AND MAINS.
12. A 4" BALL MARKER AS MANUFACTURED BY 3M PART NO. 1404 SHALL BE PLACED AT ALL CLEANOUT LOCATIONS.
13. LOCATIONS OF SERVICE STUB TO BE MARKED BY THE LETTER "S" SCRIBED A MINIMUM OF 2" HIGH & 1/4" DEEP IN CURB.
14. IF NO CURBING IS INSTALLED A "3" SQUARE STEEL TAG INSCRIBED WITH A 2" LETTER "S" IS TO BE ATTACHED TO STREET PAVEMENT.
15. EXTEND SERVICE CONNECTION A SUFFICIENT DISTANCE BEYOND CLEAN-OUT TO ALLOW FOR FUTURE CONNECTION TO THE STUB OUT WITHOUT UNDERMINING THE CLEAN-OUT ASSEMBLY
16. SERVICE TRENCHING TO CONFORM TO CITY/COUNTY STANDARDS FOR PIPE INSTALLATION.
17. USE HYDRAULIC CEMENT GROUT TO SEAL INTERIOR AND EXTERIOR OF ALL PRECAST MANHOLE JOINTS.
18. ALL GRAVITY SEWER AND SEWER SERVICES SHALL HAVE CONCRETE ENCASUREMENT WHERE COVER IS LESS THAN 30 INCHES UNDER PAVEMENT OR LESS THAN 18 INCHES IN GREEN AREAS.
19. EXTERNAL DROP TYPE MANHOLES ARE REQUIRED WHERE MANHOLE INVERT ELEVATIONS VARY BY OVER TWO FEET.
20. MANHOLE TOPS IN GREEN AREAS SHALL BE ELEVATED TO PROHIBIT STORM WATER ENTRY.
21. SEWER SERVICES SHALL BE CONSTRUCTED AT THE LOWER SIDE OF LOTS AS MAY BE APPLICABLE.
22. ALL CONSTRUCTION MUST BE IN ACCORDANCE WITH REGIONAL UTILITIES WRITTEN SPECIFICATIONS, LATEST EDITION.

NO.	DATE	APPR.	REVISION
1	1/2/2007	NOC	REVISE FORCE MAIN CONNECTION TO MANHOLE
2	5/22/08	NOC	ADD GREASE INTERCEPTOR DETAILS
3	3/02/10	NOC	UPDATE CONSTRUCTION DETAILS
4	2/24/15	RAD	ADDED CHIMNEY FRAME SEAL DETAIL
5	5/13/16	RAD	CHANGED SEWER LATERAL DETAIL

REGIONAL UTILITIES
OPERATED BY FLORIDA COMMUNITY SERVICES CORPORATION OF WALTON COUNTY INC.
4432 HWY 98 EAST
Santa Rosa Beach, FL 32459
Phone: (850) 231-5114
Fax: (850) 231-4924

PROJECT NAME:	
SHEET TITLE:	SANITARY SEWER STANDARD DETAILS

DRAWN BY:	CHECKED BY:
RT	RAD
PROJECT NO.:	000-000
DRAWING SCALE:	N.T.S.
PLOT DATE:	
SHEET NO.:	2 OF 2
SHEET:	S-1