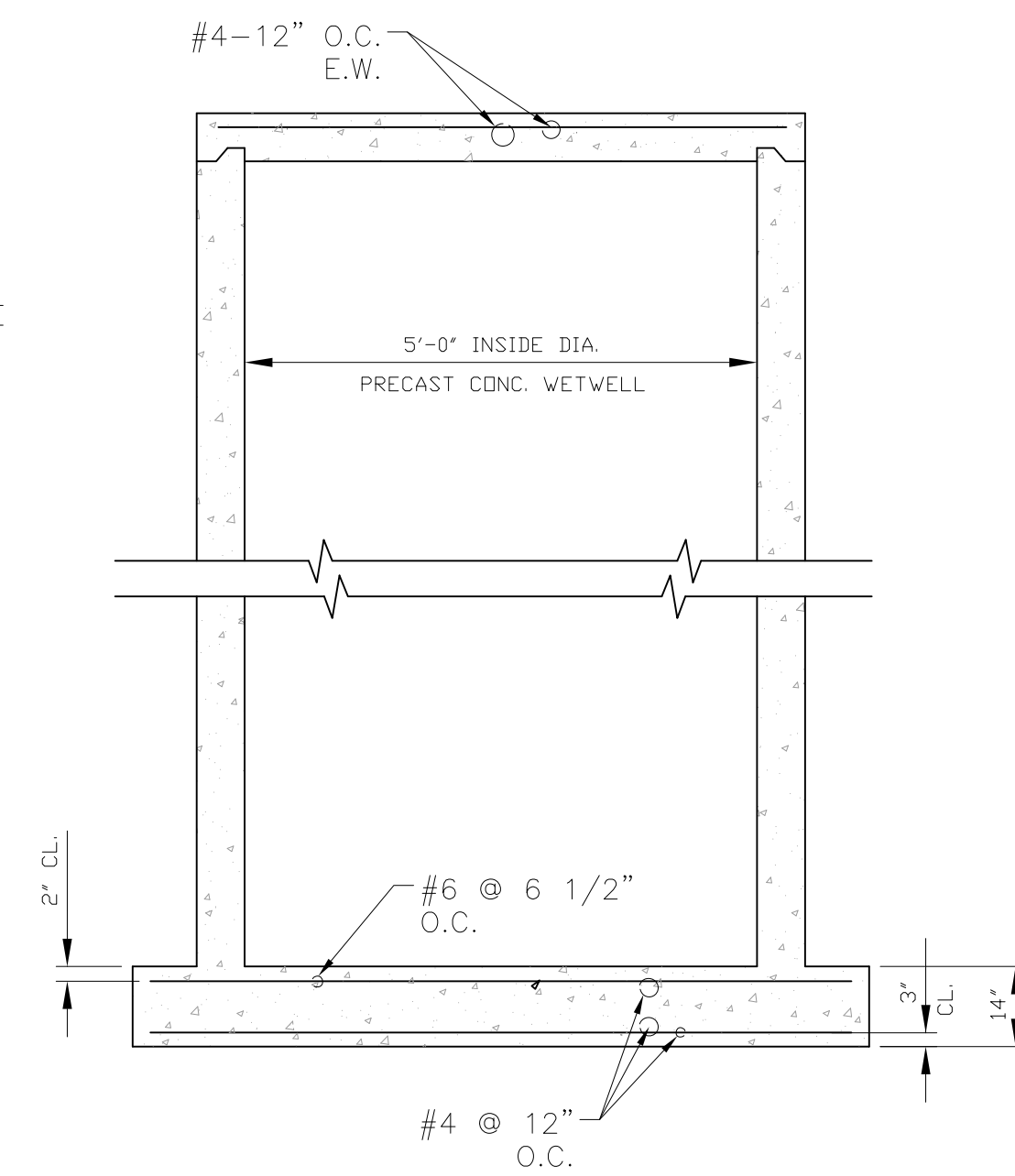
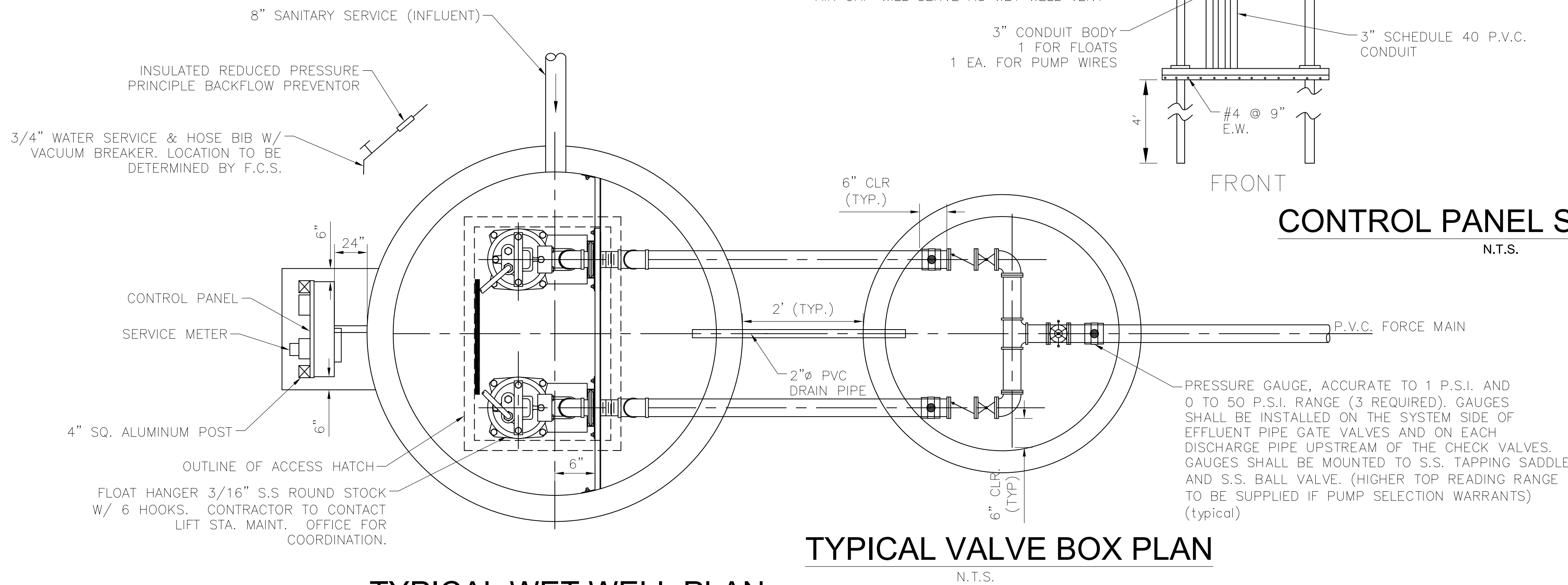
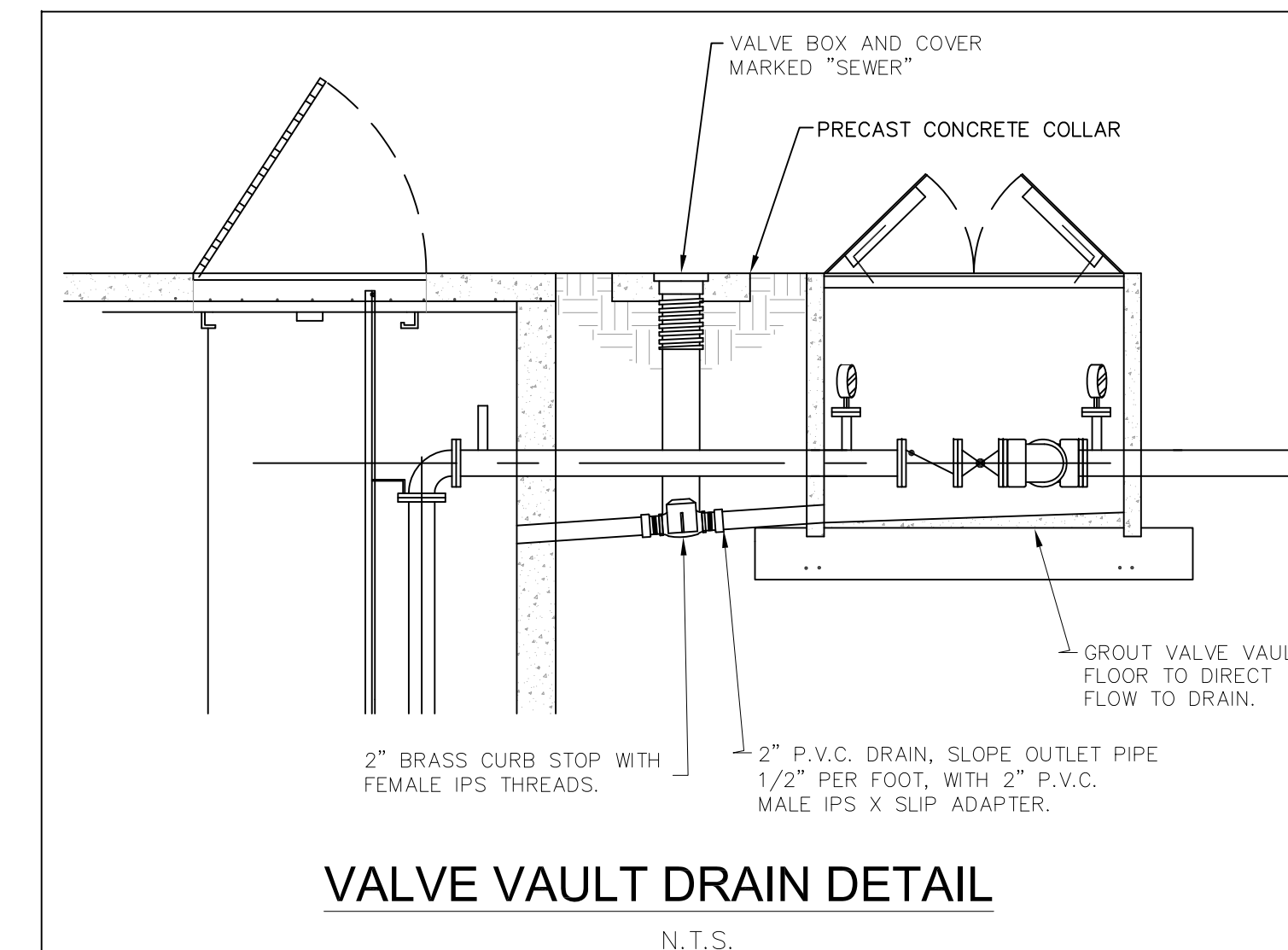
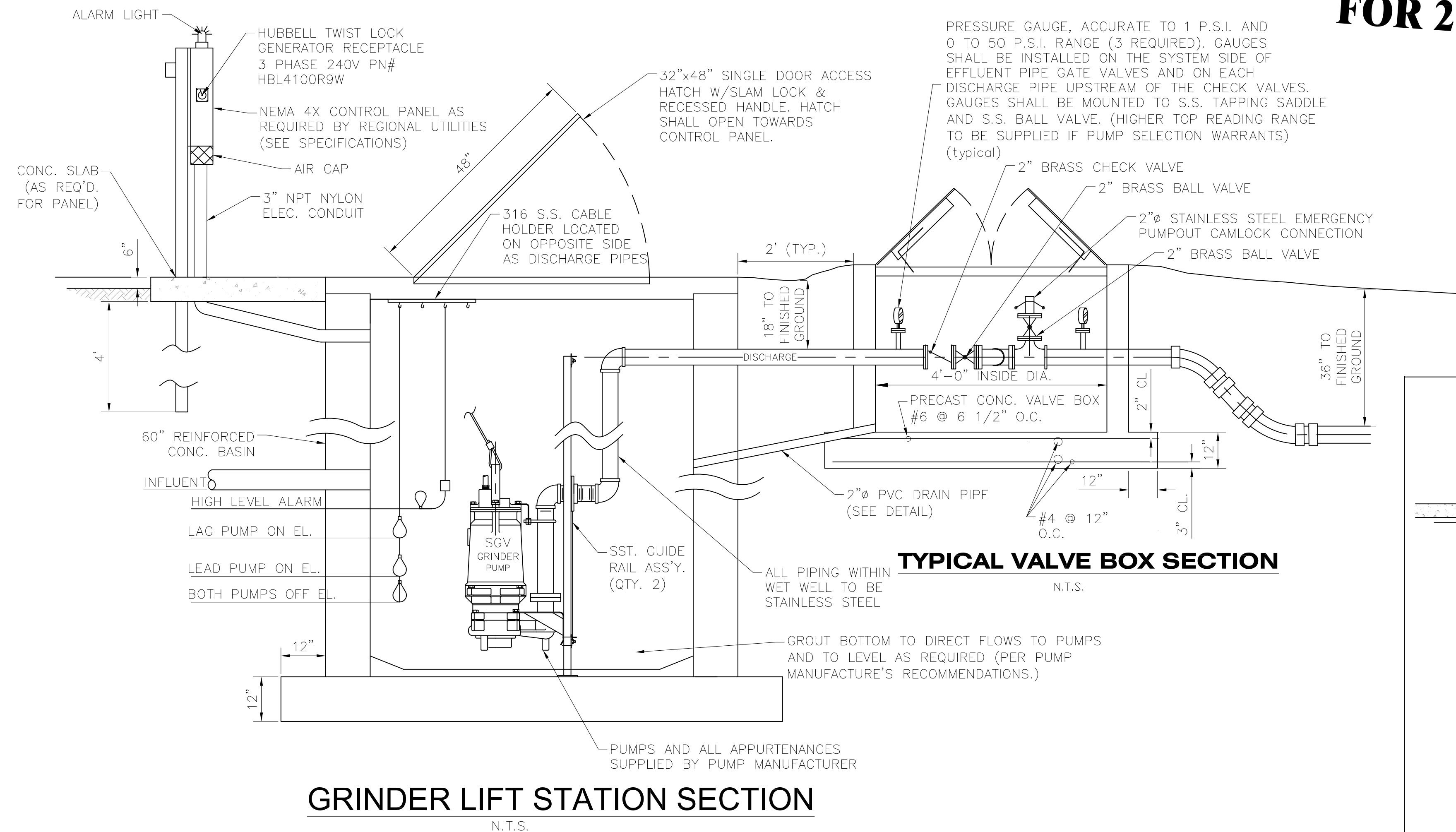


PUMPING STATION DATA	
Designation	
Pump model	BARNES SGV
Impeller	
voltage (3 PHASE)	120/208/240 Volt
h.p.	
r.p.m.	
delivery_gpm (High System Head)	
delivery_gpm (Low System Head)	
TDH, feet (High System Head)	
TDH, feet (Low System Head)	
Top elev.	
Influent Size	
Inv. Influent	
High level alarm elev.	
Lag pump on elev.	
Lead pump on elev.	
Both pumps off elev.	
Bottom elev.	
Force main	



- GENERAL NOTES:**
1. WET WELL AND VALVE VAULT SHALL BE COATED WITH KOP-COAT COAL TAR EPOXY 300-M INSIDE AND OUT. (TWO COATS, 9 MILS EACH)
 2. BASE AND FIRST RISER UNIT TO BE CAST MONOLITHIC.
 3. VALVE VAULT SHALL BE SIZED TO PERMIT EASY REMOVAL OF CHECK VALVE
 4. ALL LOCATIONS WHERE PIPES ENTER OR LEAVE THE WET WELL OR VALVE VAULT SHALL BE MADE WATERTIGHT WITH WALL SLEEVE OR NON-SHRINK GROUT.
 5. THERE SHALL BE NO VALVES OR ELECTRICAL JUNCTION BOXES IN WET WELL.
 6. WET WELL AND VALVE VAULT COVERS SHALL BE ALUMINUM WITH 316 S.S. HARDWARE SIZE AS REQUIRED BY PUMP MANUFACTURER AND APPROVED BY FLORIDA COMMUNITY SERVICES.
 7. FLEXIBLE COUPLING IF USED SHALL BE SLEEVE TYPE.
 8. ALL HARDWARE IN WET WELL AND VALVE BOX TO BE STAINLESS STEEL.
 9. ALL ENCLOSURES SHALL BE NEMA 3R OR BETTER EXCEPT CONTROL PANEL WHICH SHALL BE NEMA 4X.
 10. ALL MECHANICAL JOINT FITTINGS ON PRESSURE PIPE SHALL HAVE BOTH "MEGALUG" TYPE JOINT RESTRAINING GLANDS AND THRUST BLOCKS.
 11. THE CONTRACTOR IS RESPONSIBLE FOR OBTAINING AND MEETING THE REQUIREMENTS OF REGIONAL UTILITIES STANDARD DETAILS AND SPECIFICATIONS LATEST EDITION.
 12. ANY LOCATION WHERE PRESSURE PIPELINE CURVATURE EXCEEDS MANUFACTURER'S SPECIFICATIONS; APPROPRIATE MECHANICAL JOINT FITTINGS SHALL BE USED.
 13. ALL 2-INCH VALVES SHALL BE BALL TYPE - 2-INCH GATE VALVES SHALL NOT BE USED.
 14. ALL TIE IN TO EXISTING PRESSURIZED PIPELINES SHALL BE BY TAPPING SLEEVE (3 INCH TAP AND LARGER) (OR TAPPING SADDLE, 2 INCH TAP AND SMALLER) AND VALVE W/ VALVE BOX.
 15. DEVELOPERS OF PRIVATE PROJECTS SHALL PROVIDE ALL WETLANDS PERMITS NECESSARY FOR UTILITY CONSTRUCTION.
 16. ALL GRINDER LIFT STATIONS LOCATED IN A PUBLIC RIGHT-OF-WAY MUST BE DESIGNED AND CONSTRUCTED OF REINFORCED CONCRETE AS PER THE SECTION TITLED "STRUCTURAL AND OTHER NOTES" DETAILED BELOW.



APPROVED FOR 2017

REGIONAL UTILITIES
OPERATED BY FLORIDA COMMUNITY SERVICES CORPORATION OF WALTON COUNTY INC.

4432 HWY 98 EAST
SANTA ROSA BEACH, FL 32458
Phone: (850) 231-5114
Fax: (850) 231-4924

LIFT STATION (GRINDER PUMP)
STANDARD DETAIL

PROJECT NAME:

SHEET TITLE:

SCALE:

DRAWN BY: CHECKED BY:

RT RAD

PROJECT NO.: 000-000

DRAWING SCALE: N.T.S.

PLOT DATE:

SHEET NO. 1 OF 1

SHEET:

GS-1