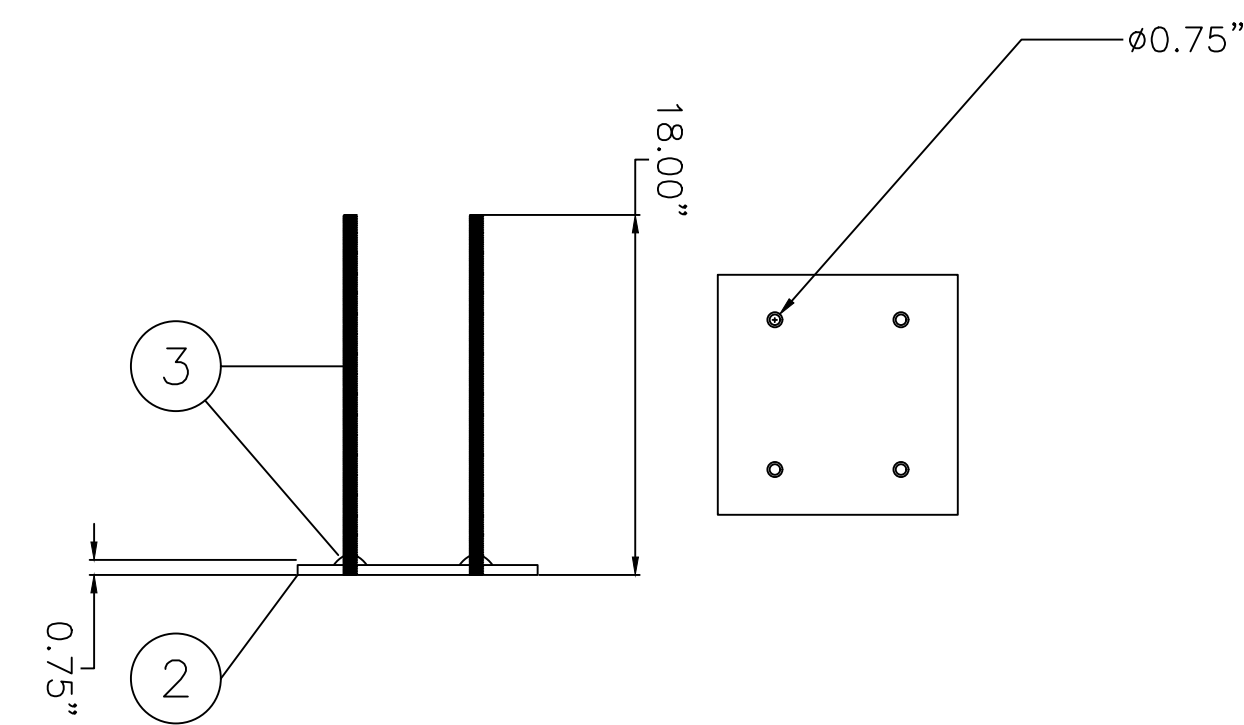
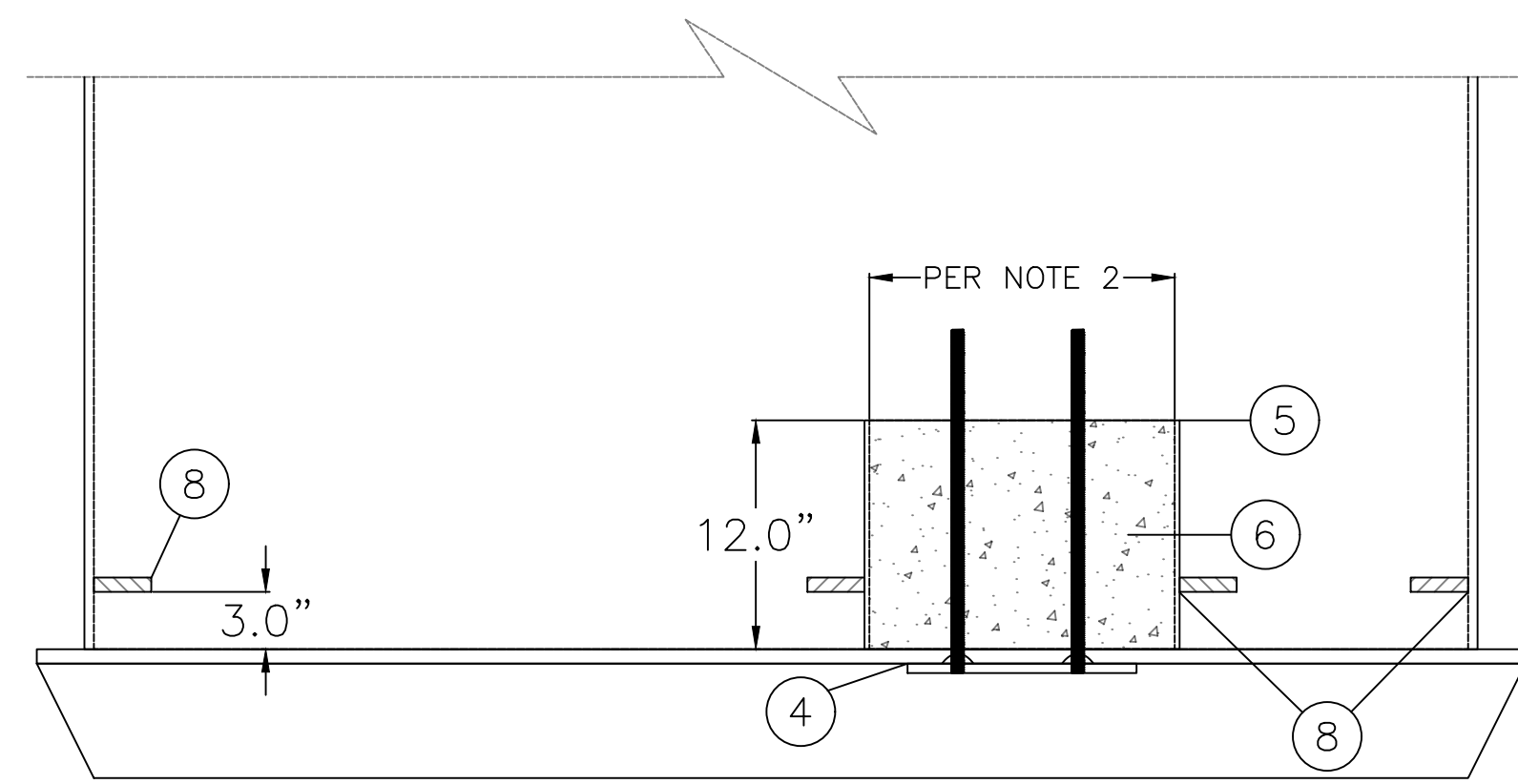


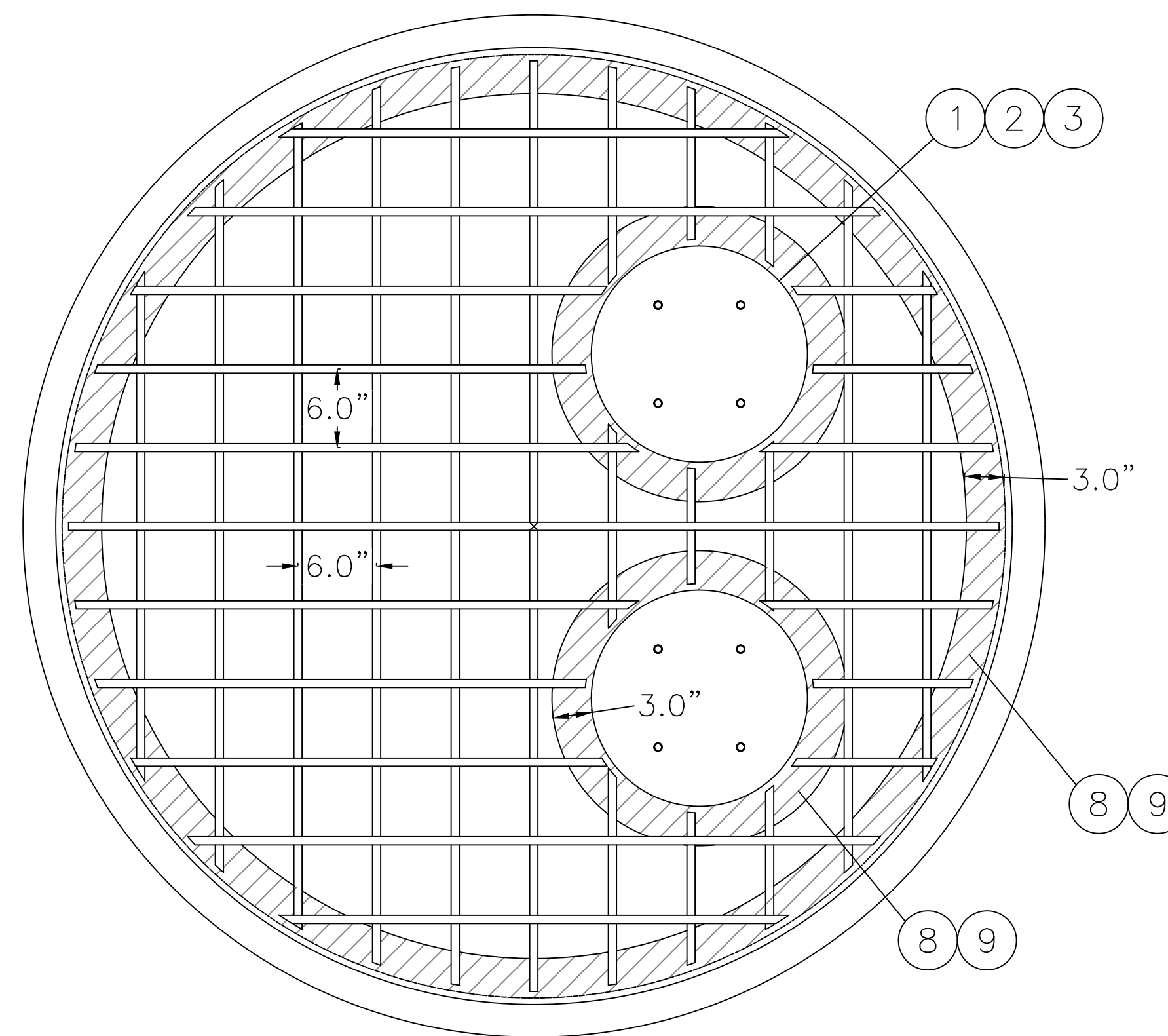
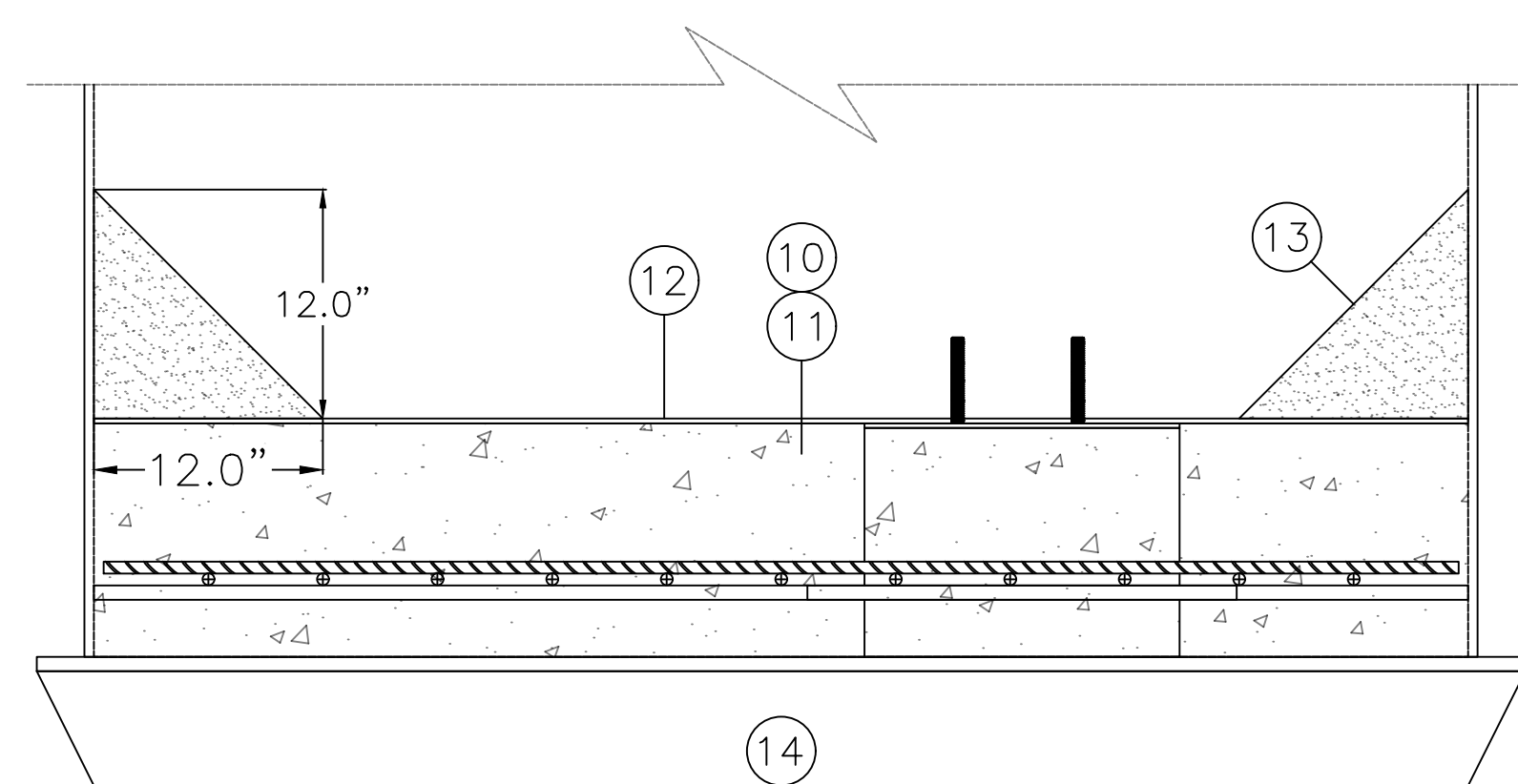
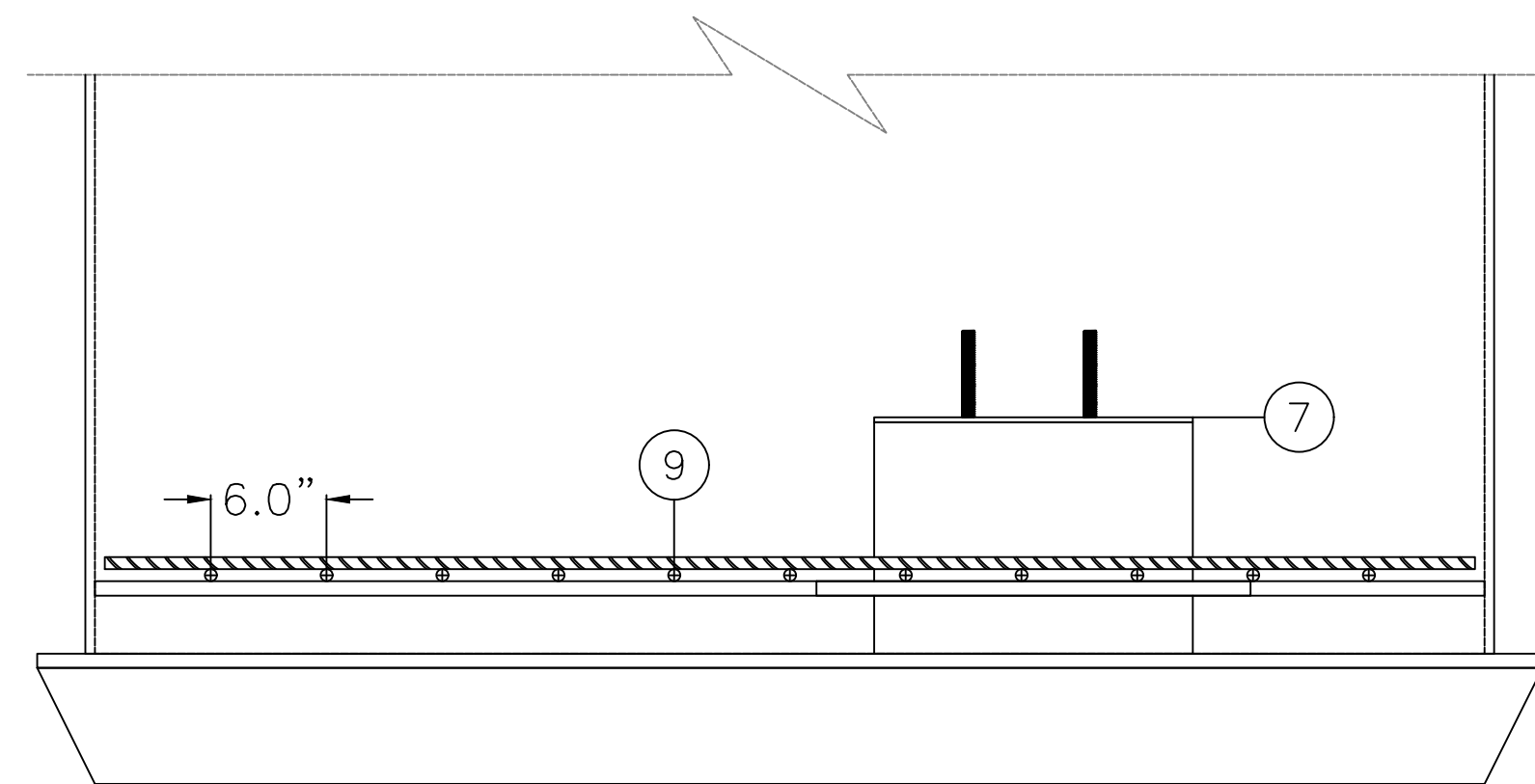
NOTES:

1. ONE MOUNTING PLATE SHALL BE PROVIDED FOR EACH PUMP.
2. MOUNTING PLATE SHALL BE CONSTRUCTED OF 3/4" THICK 304 SST, SIZED TO ACCOMMODATE THE PUMP, WITH THREADED HOLE PATTERN TO MATCH THE PUMP BASE ELBOW.
3. FOUR SST THREADED RODS 3/4" x 18" LONG SHALL BE THREADED INTO HOLES IN THE PLATE AND WELDED INTO PLACE.
4. MOUNTING PLATES SHALL BE FULLY GLASSED INTO THE BOTTOM OF THE WET WELL.
5. A MIN. 12"H FIBERGLASS CYLINDER SHALL BE PLACED OVER THE THREADED RODS AND CENTERED ABOVE EACH MOUNTING PLATE.
6. CYLINDERS SHALL BE FILLED TO THE TOP WITH 4,000 PSI CONCRETE.
7. ONCE THE CONCRETE HAS CURED, CYLINDERS SHALL BE GLASSED OVER THE TOP TO ENCAPSULATE THE CONCRETE.
8. WATER STOP RINGS OF 3" WIDE x 3/4" THICK FIBERGLASS SHALL BE INSTALLED AROUND THE OUTSIDE OF EACH CYLINDER AND AROUND THE INSIDE WALL OF THE WET WELL, 3" ABOVE THE BOTTOM.
9. ONCE THE WET WELL HAS BEEN SET, A SINGLE MAT OF #5 REBAR ON 6-INCH CENTERS SHALL BE LAID ON TOP OF AND BE SUPPORTED BY THE WATER STOP RINGS.
10. WET WELL SHALL HAVE 12" OF 4,000 PSI CONCRETE POURED INTO THE BOTTOM, TO BE LEVEL WITH THE TOP OF THE CYLINDERS.
11. CONCRETE SHALL MEET THE MOST CURRENT REQUIREMENTS OF ASTM C150 TYPE II CEMENT.
12. ONCE THE CONCRETE HAS CURED, THE BOTTOM SHALL BE GLASSED IN TO COMPLETELY SEAL ALL EXPOSED CONCRETE.
13. A 12" x 12" FILLET SHALL BE CONSTRUCTED OF CONCRETE GROUT AROUND THE INSIDE WALL OF THE WET WELL FLOOR TO DIRECT SOLIDS TOWARD THE CENTER.
14. THE WEIGHT OF THE ABOVE DESCRIBED CONSTRUCTION SHALL BE CONSIDERED IN THE WET WELL BALLAST CALCULATIONS.



MOUNTING PLATE DETAIL
N.T.S.

**APPROVED
FOR 2026**



TOP VIEW
N.T.S.

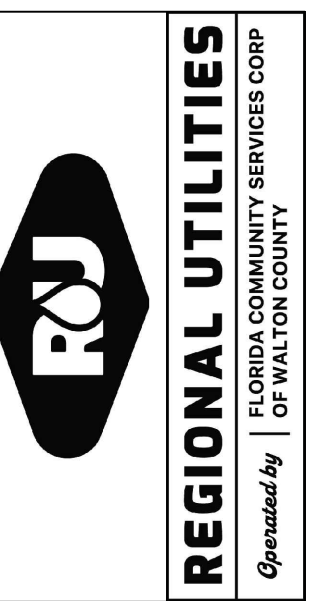
REVISION

APPR.

DATE

NO.

4432 HWY 98 EAST
SANTA ROSA BEACH, FL 32459
Phone: (850) 231-5114
WWW.REGIONALUTILITIES.NET



PROJECT NAME:

SCALE:

DRAWN BY: RT & WK
CHECKED BY: RAD

PROJECT NO.: 000-000

DRAWING SCALE: N.T.S.

PLOT DATE:

SHEET NO. 1 OF 2

SHEET: GS-F2

LIFT STATION (GRINDER PUMPS)
FIBERGLASS STANDARD DETAIL