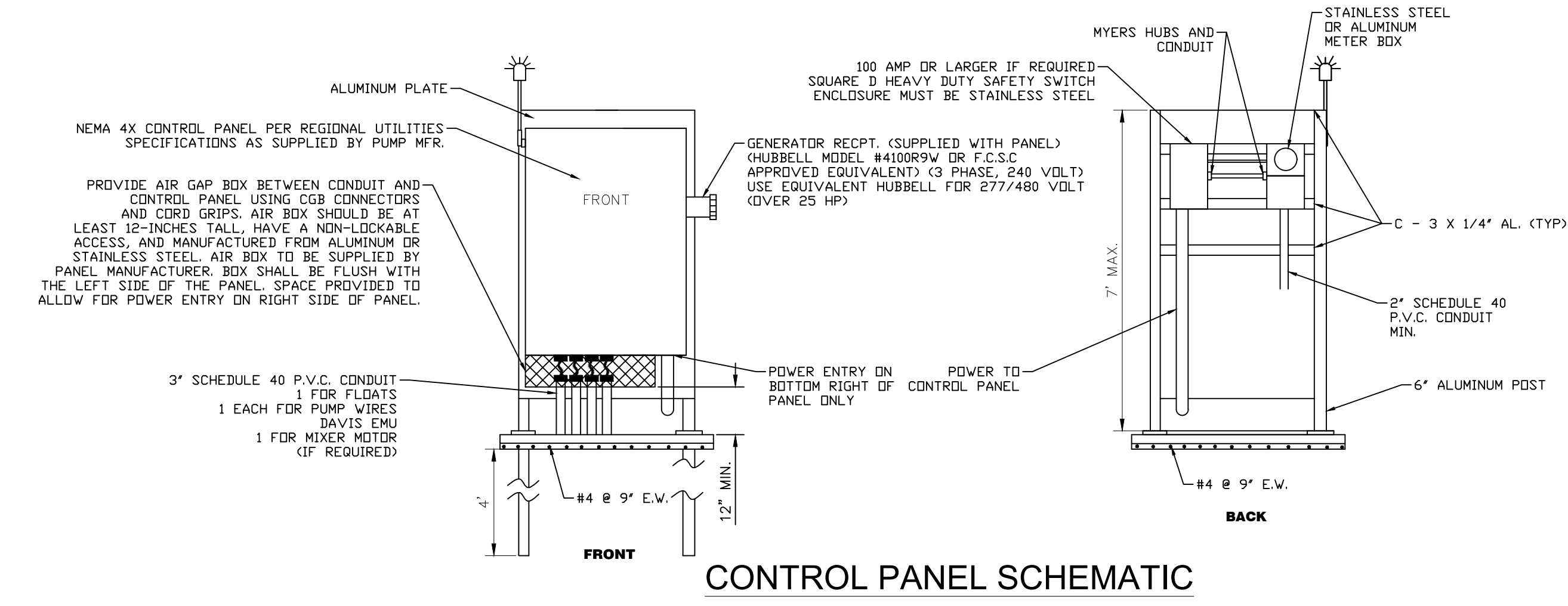
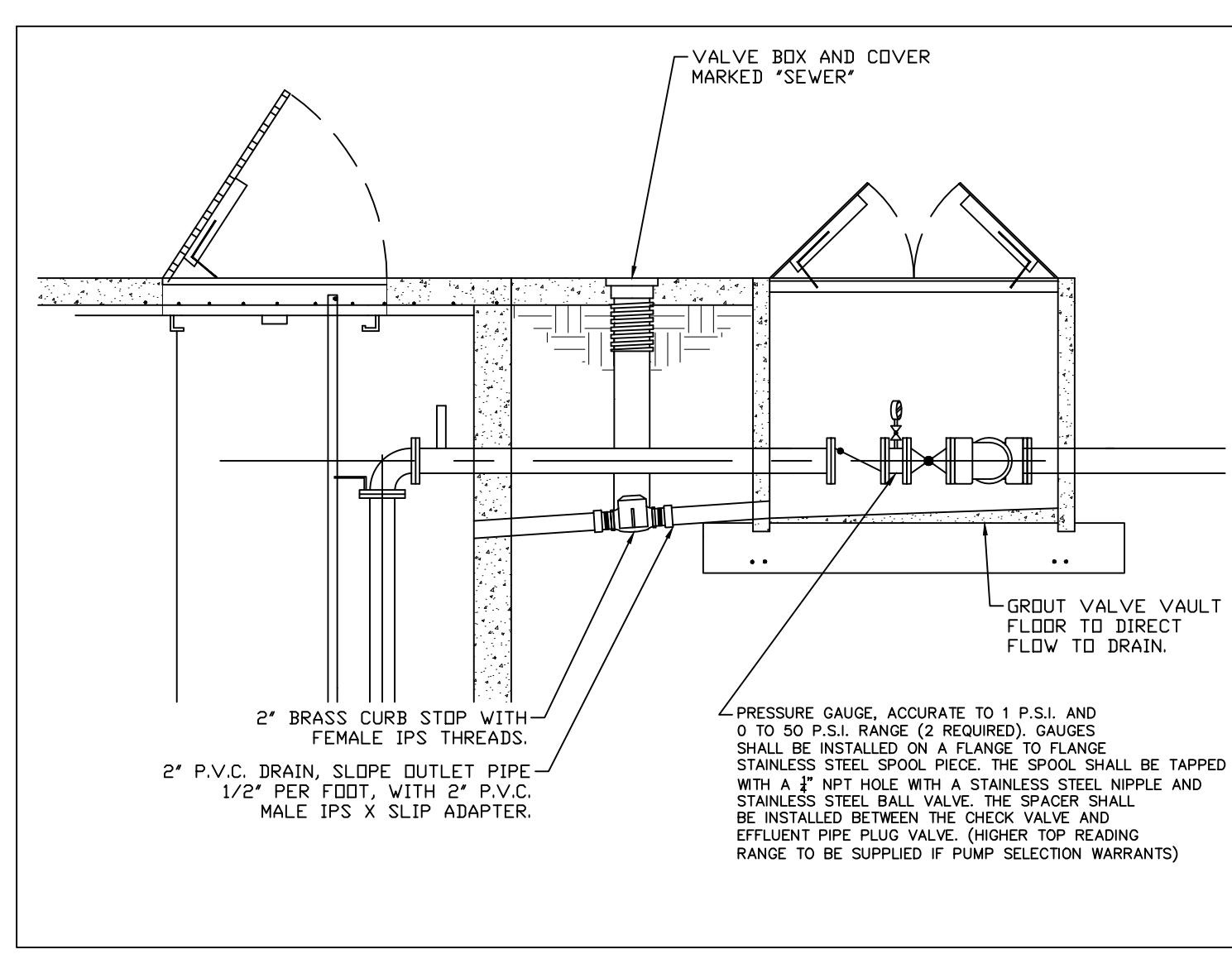


TYPICAL WET WELL PLAN
N.T.S.

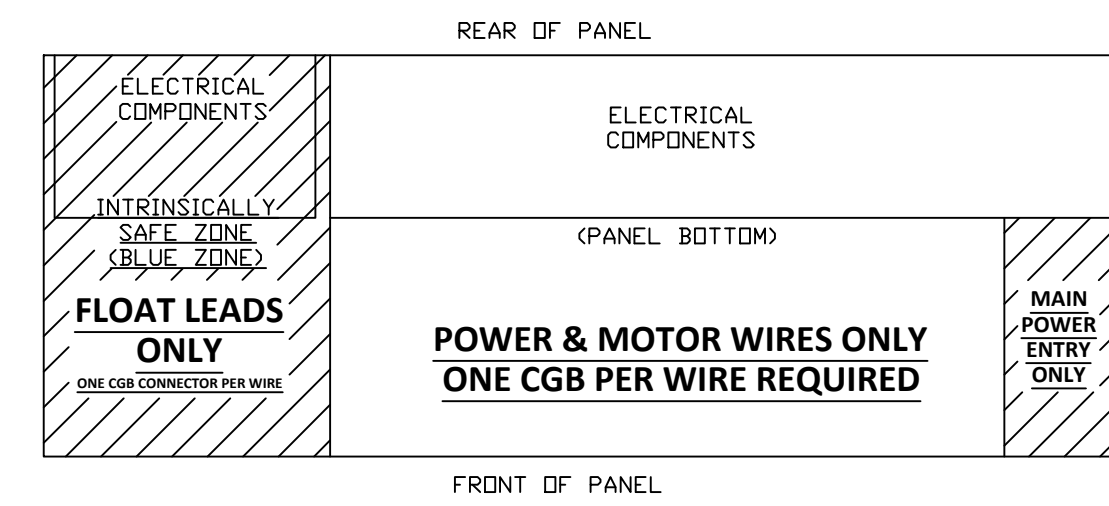
APPROVED FOR 2026



CONTROL PANEL SCHEMATIC
N.T.S.



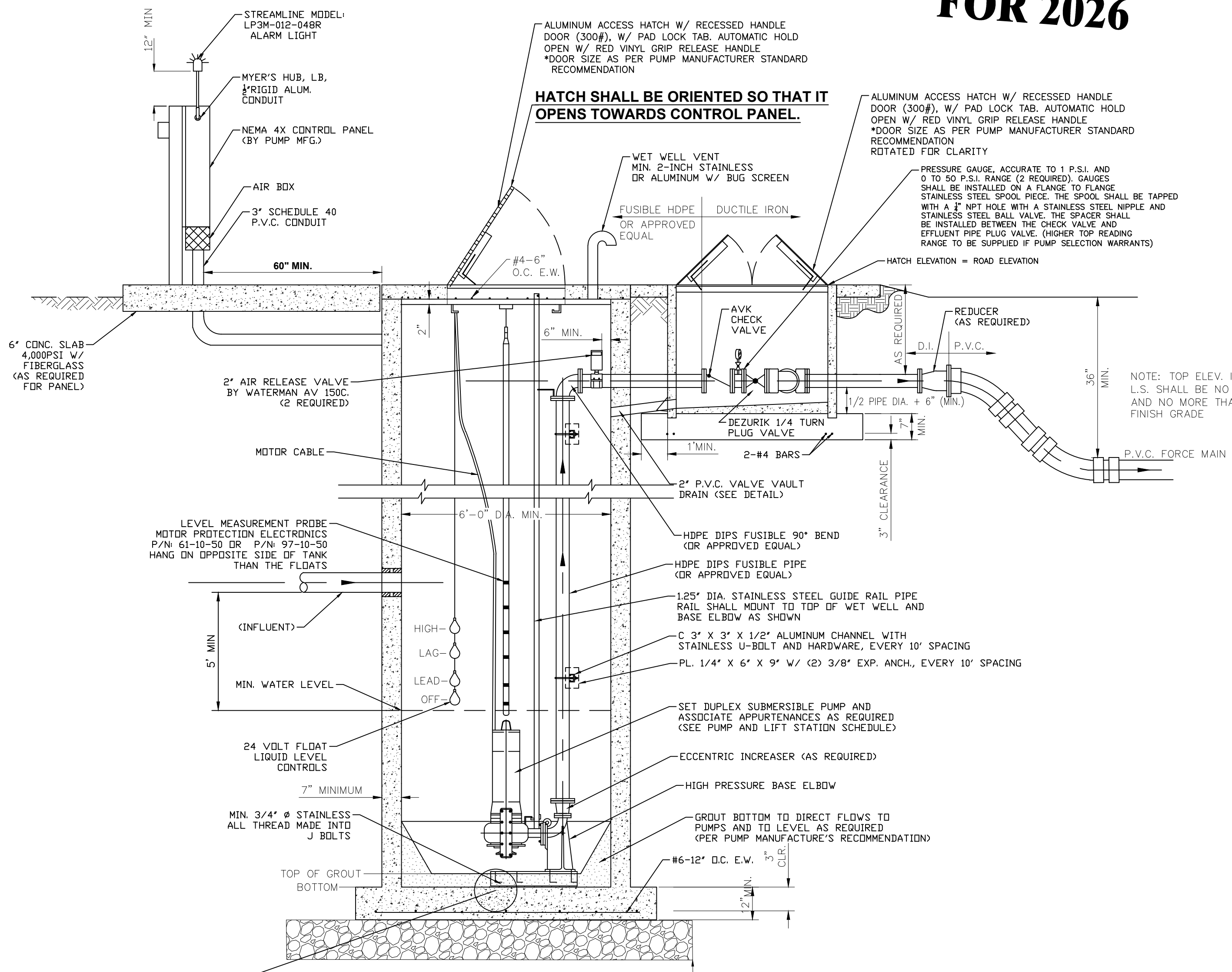
VALVE VAULT DRAIN DETAIL
N.T.S.



CGB CONNECTOR SCHEMATIC
N.T.S.

GENERAL NOTES:

1. A) VALVE VAULT SHALL BE COATED WITH KOP-COAT COAL TAR EPOXY 300-M INSIDE AND OUT. (TWO COATS, 9 MILS EACH)
2. BASE AND FIRST RISER UNIT TO BE CAST MONOLITHIC.
3. VALVE VAULT SHALL BE SIZED TO PERMIT EASY REMOVAL OF CHECK VALVE SPINDLES WITH MINIMUM CLEARANCES AS SHOWN FOR 4\"/>
- 4. ALL LOCATIONS WHERE PIPES ENTER OR LEAVE THE WET WELL OR VALVE VAULT SHALL BE MADE WATERTIGHT WITH WALL SLEEVE OR NON-SHRINK GROUT.
- 5. THERE SHALL BE NO VALVES OR ELECTRICAL JUNCTION BOXES IN WET WELL.
- 6. ALL ENCLOSURES SHALL BE NEMA 4X.
- 7. WET WELL AND VALVE VAULT COVERS SHALL BE ALUMINUM WITH 316 S.S. HARDWARE SIZE AS REQUIRED BY PUMP MANUFACTURER AND APPROVED BY FLORIDA COMMUNITY SERVICES.
- 8. FLEXIBLE COUPLING SHALL BE SLEEVE TYPE.
- 9. ALL HARDWARE IN WET WELL AND VALVE BOX TO BE STAINLESS STEEL GRADE 316 OR BETTER
- 10. ALL EXPOSED FERROUS METAL WITHIN WET WELL AND VAULT SHALL BE COATED WITH KOP-COAT COAL TAR EPOXY 300-M.
- 11. WET WELLS AND VALVE VAULTS WITHIN THE RIGHT OF WAY OR WITHIN 25 FEET OF ANY ROAD OR IN ANY AREA DEEMED APPROPRIATE BY FCSC SHALL BE REQUIRED TO HAVE TRAFFIC RATED APPROVED ALUMINUM COVERS FOR WEIGHT BEARING.
- 12. CONTROL PANEL SHALL HAVE BATTERY BACK UP FOR ALARM SYSTEM.
- 13. ALL MECHANICAL JOINT FITTINGS ON PRESSURE PIPE SHALL HAVE BOTH "MEGALUG" TYPE JOINT RESTRAINING GLANDS AND THRUST BLOCKS.
- 14. THE CONTRACTOR IS RESPONSIBLE FOR OBTAINING AND MEETING THE REQUIREMENTS OF REGIONAL UTILITIES STANDARD DETAILS AND SPECIFICATIONS LATEST EDITION.
- 15. ANY LOCATION WHERE PRESSURE PIPELINE CURVATURE EXCEEDS MANUFACTURERS' SPECIFICATIONS, APPROPRIATE MECHANICAL JOINT FITTINGS SHALL BE USED.
- 16. ALL 2-INCH VALVES SHALL BE BALL TYPE - 2-INCH GATE VALVES SHALL NOT BE USED.
- 17. ALL TIE IN TO EXISTING PRESSURIZED PIPELINES SHALL BE BY TAPPING SLEEVE (3 INCH TAP AND LARGER) (OR TAPPING SADDLE, 2 INCH TAP AND SMALLER) AND VALVE.
- 18. DEVELOPERS OF PRIVATE PROJECTS SHALL PROVIDE ALL WETLANDS PERMITS NECESSARY FOR UTILITY CONSTRUCTION.
- 19. ALL DUCTILE IRON PIPE SHALL BE COATED INSIDE AND OUT WITH PROTECTO 401 CERAMIC EPOXY.
- 20. A MIXER SHALL BE INSTALLED IN ALL CONCRETE WET WELLS LARGER THAN 6 FOOT DIAMETER. THE MIXER SHALL BE A WILD SUBMERSIBLE MIXER OR APPROVED EQUAL.
- 21. ALARM LIGHT SHALL BE VISIBLE ABOVE ANY AND ALL OBSTRUCTIONS.
- 22. LEVEL MEASUREMENT PROBE (LMP) #61-10-50 OR #97-10-50, ALONG WITH CONVERTER #LPC420R-RM TO BE USED AS PRIMARY LEVEL CONTROL, WITH FLOATS AS BACKUP.
- 23. UNISTRUT SHALL NOT BE USED ON CONTROL PANEL BACKBOARD.



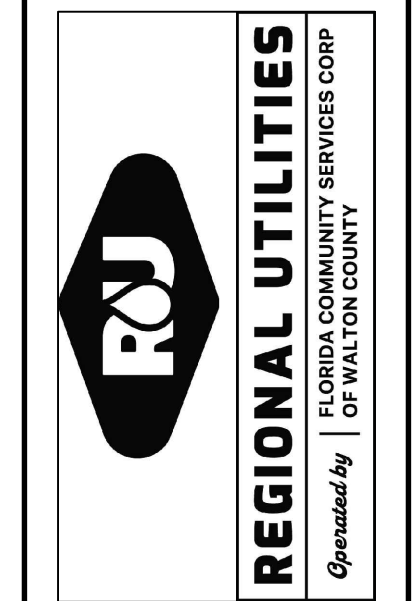
TYPICAL WET WELL SECTION
N.T.S.

PUMP STATION INFORMATION	
STATION NAME:	
TOP OF STATION Elevation	
INFLUENT INVERT Elevation	
HIGH ALARM Elevation	
2nd PUMP ON Elevation	
1st PUMP ON Elevation	
PUMPS OFF Elevation	
BOTTOM OF STATION Elevation	
WET WELL DEPTH	
WET WELL DIAMETER (I.D.)	
VALVE BOX DEPTH	
VALVE BOX DIAMETER (I.D.)	
DISCHARGE PIPE SIZE	
FORCE MAIN PIPE SIZE	

PUMP INFORMATION	
NUMBER OF PUMPS	
PUMP MANUFACTURER	
PUMP MODEL	
IMPELLER	
HP	
VOLTAGE	
PHASE	<25HP 120/208/240 Volts > 25HP 277/480 Volts
RPM	
GPM (High System Head)	
GPM (Low System Head)	
TDH, FT (High System Head)	
TDH, FT (Low System Head)	

NO.	DATE	APPR.	REVISION

4432 HWY 98 EAST
SANTA ROSA BEACH, FL 32459
Phone: (850) 231-5114
WWW.REGIONALUTILITIES.NET



PROJECT NAME:
SHEET TITLE:
PROJECT NO.: 000-000
DRAWING SCALE:
PLOT DATE:
SHEET NO. 1 OF 1
SHEET:

SEAL:
DRAWN BY: RT & WK
CHECKED BY: RAD
PROJECT NO.: 000-000
DRAWING SCALE: N.T.S.
PLOT DATE:
SHEET NO. 1 OF 1
SHEET: LS-C