

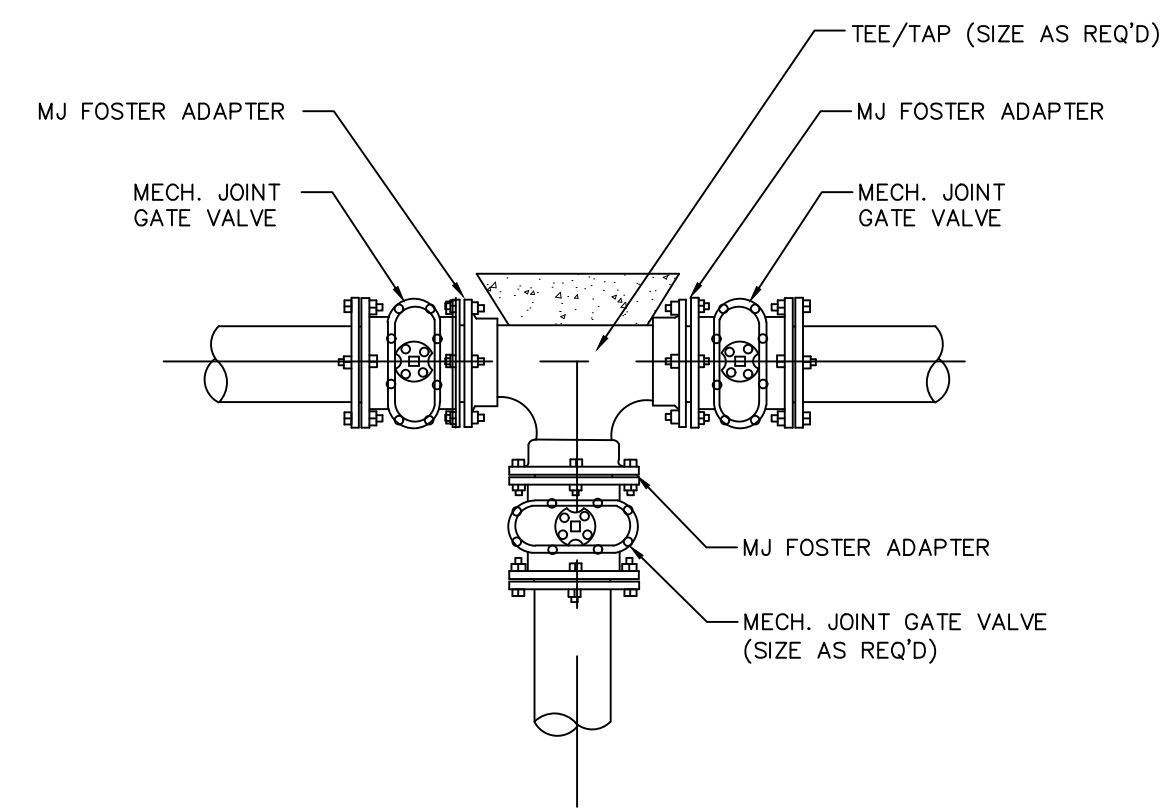
SIZE	TEE		CU. FT.		1/4 BENDS		CU. FT.		1/8 BENDS		CU. FT.		1/16 BENDS		CU. FT.	
	A	B	CONC.		A	B	CONC.		A	B	CONC.		A	B	CONC.	
6"	10"	12"	3.5		16"	10"	3.2		9"	10"	3.0		6"	8"	1.3	
8"	13"	16"	5.4		22"	13"	7.2		12"	13"	3.7		8"	10"	2.1	
10"	16"	20"	9.4		26"	17"	11.5		14"	17"	5.9		10"	13"	3.6	
12"	18"	24"	16.6		29"	21"	21.1		16"	21"	8.6		11"	16"	6.6	
14"	22"	27"	23.2		35"	24"	29.8		19"	24"	14.9		12"	20"	8.9	
16"	24"	30"	28.6		38"	27"	37.8		21"	27"	19.1		12"	24"	11.2	
18"	26"	32"	36.2		42"	29"	47.8		22"	29"	24.2		13"	26"	14.2	

1 THRUST BLOCK DETAIL
N.T.S.

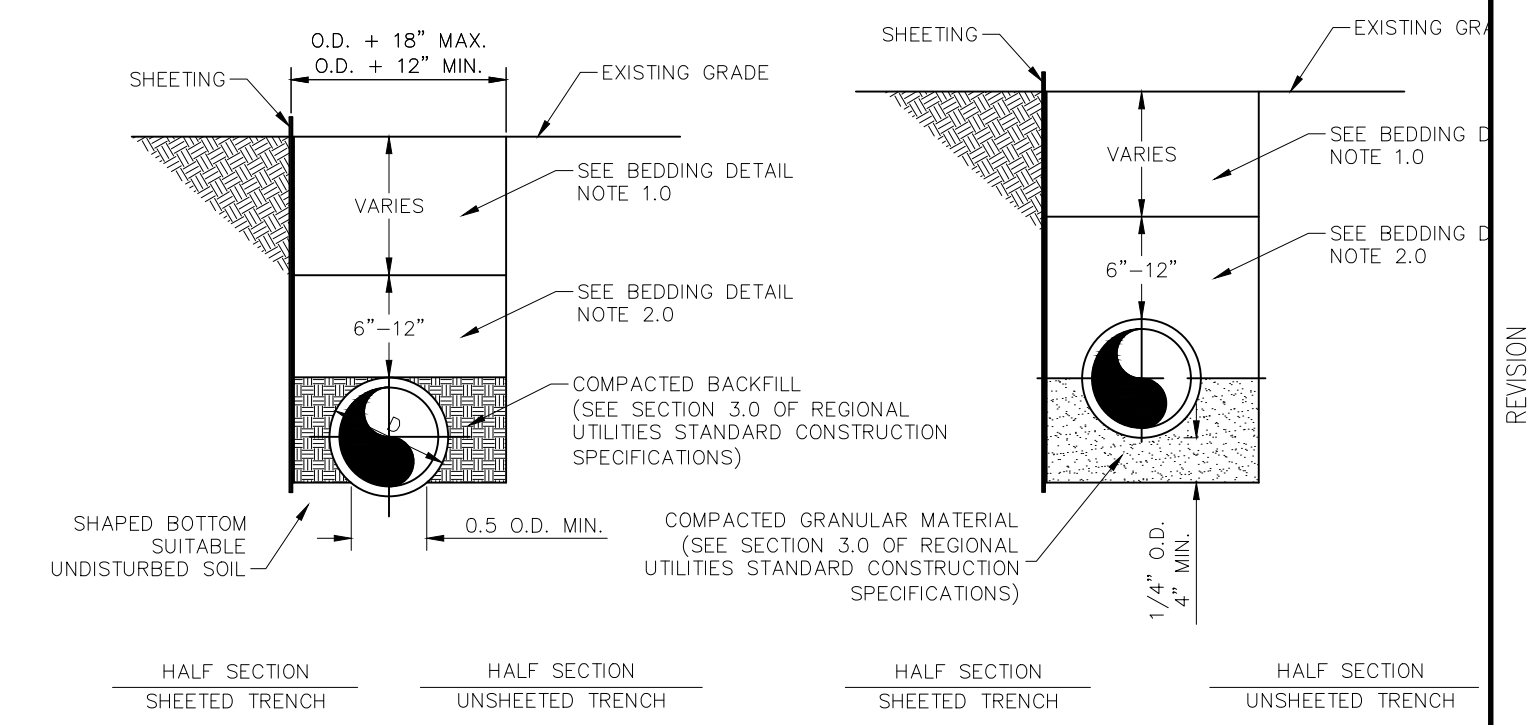
NOTES:

1. ALL BEARING SURFACES TO BE CARRIED TO UNDISTURBED SOIL.
2. THESE TABLES SHOW MINIMUM SIZE THRUST BLOCKS FOR GOOD SOIL. (A-1 THRU A-3, CLEAN SAND AND GRAVELS).
3. POOR SOIL (A-4 THRU A-8, SILTY SOILS, CLAYS, MUCK AND PEAT) WILL REQUIRE LARGER THRUST BLOCKS.

SIZE	PLUG		CU. FT.
	C	D	CONC.
6"	10"	21"	2.6
8"	12"	29"	4.5
10"	14"	36"	6.9
12"	16"	41"	9.0
14"	18"	48"	12.3
16"	20"	54"	15.2
18"	22"	60"	19.2



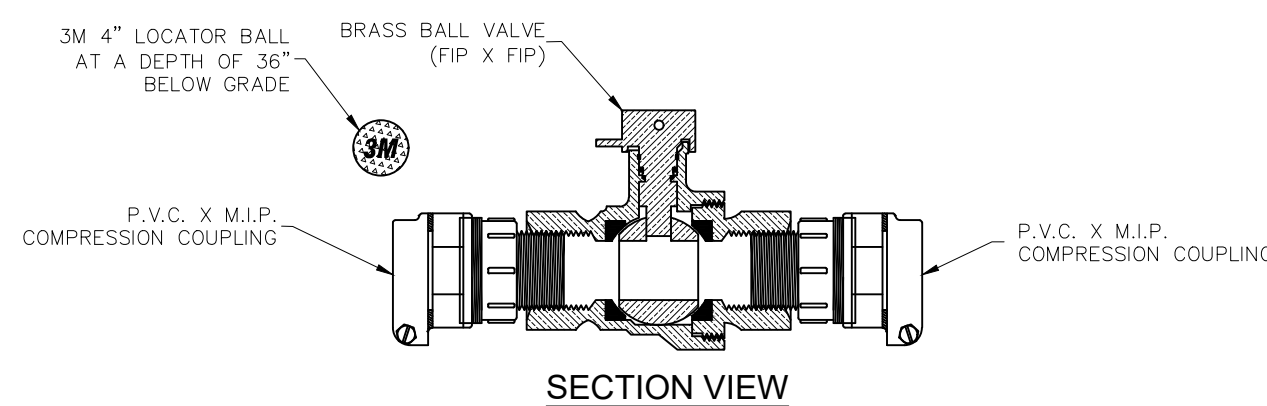
2 3-WAY VALVE ASSEMBLY
N.T.S.



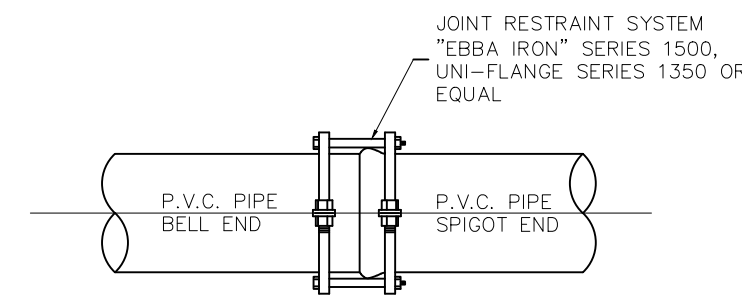
3 TYPICAL BEDDING DETAIL
N.T.S.

BEDDING DETAIL NOTES:

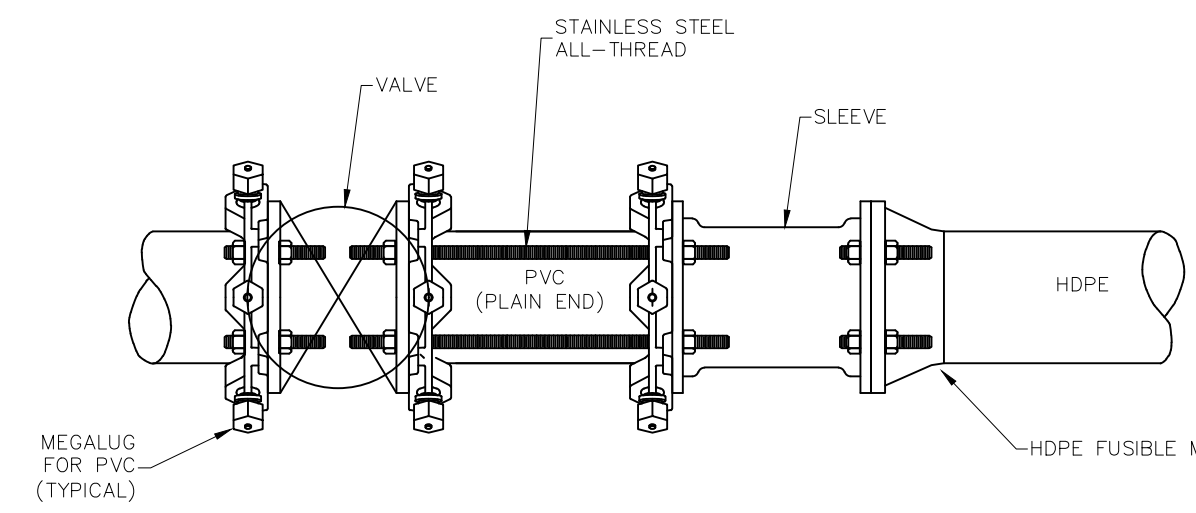
- 1.0 THE BACKFILL TO A POINT TWELVE (12) INCHES ABOVE THE PIPE SHALL BE PLACED BY HAND AND SHALL BE CAREFULLY SELECTED MATERIAL FREE FROM ROCKS, BOULDERS, CLODS, ORGANIC MATERIAL, OR OTHER DEBRIS AND LIGHTLY COMPACTED PRIOR TO PLACING REMAINING BACKFILL. THE BALANCE OF THE BACKFILL MAY BE PLACED IN THE DITCH BY HAND OR BY MECHANICAL EQUIPMENT. NO BACKFILL SHALL BE DROPPED DIRECTLY ONTO EXPOSED PIPE.
- 2.0 CONTRACTOR SHALL EMPLOY AN EXCAVATOR-MOUNTED TRENCH ROLLER OR OTHER MECHANICAL COMPACTION EQUIPMENT TO PROVIDE BACKFILL DENSITIES OF 95% OR GREATER AT ±2% OPTIMUM MOISTURE CONTENT. SURFACE FLOODING AND WATER JETTING OF BACKFILL SHALL NOT BE PERMITTED FOR BACKFILL CONSOLIDATION.
- 3.0 ALL BACKFILL SHALL BE IN ACCORDANCE WITH SECTION 3.0 OF REGIONAL UTILITIES CONSTRUCTION SPECIFICATIONS.
- 4.0 PIPE COVER SHALL NOT BE LESS THAN 36 INCHES, NOR GREATER THAN 48 INCHES EXCEPT WHERE SPECIFICALLY SHOWN ON THE CONSTRUCTION DRAWINGS AND APPROVED BY REGIONAL UTILITIES.



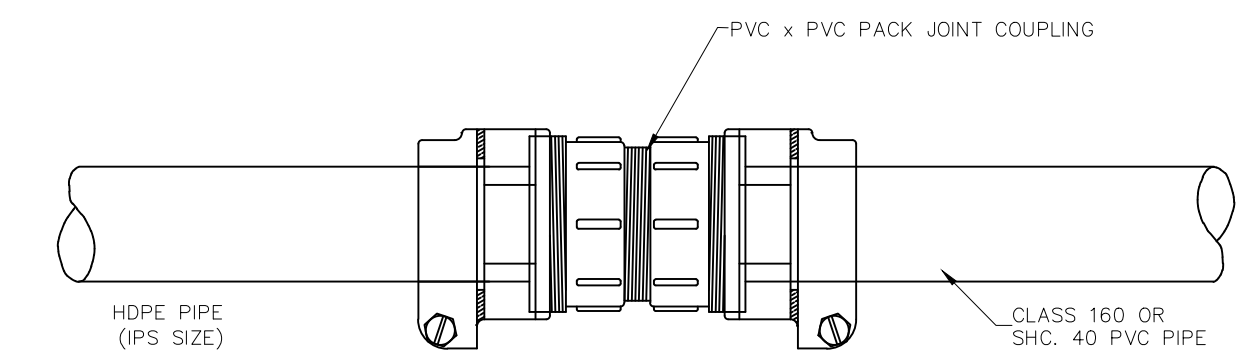
4 TYPICAL BRASS BALL VALVE CONNECTION
N.T.S.



5 TYPICAL RESTRAINED P.V.C. JOINT
N.T.S.

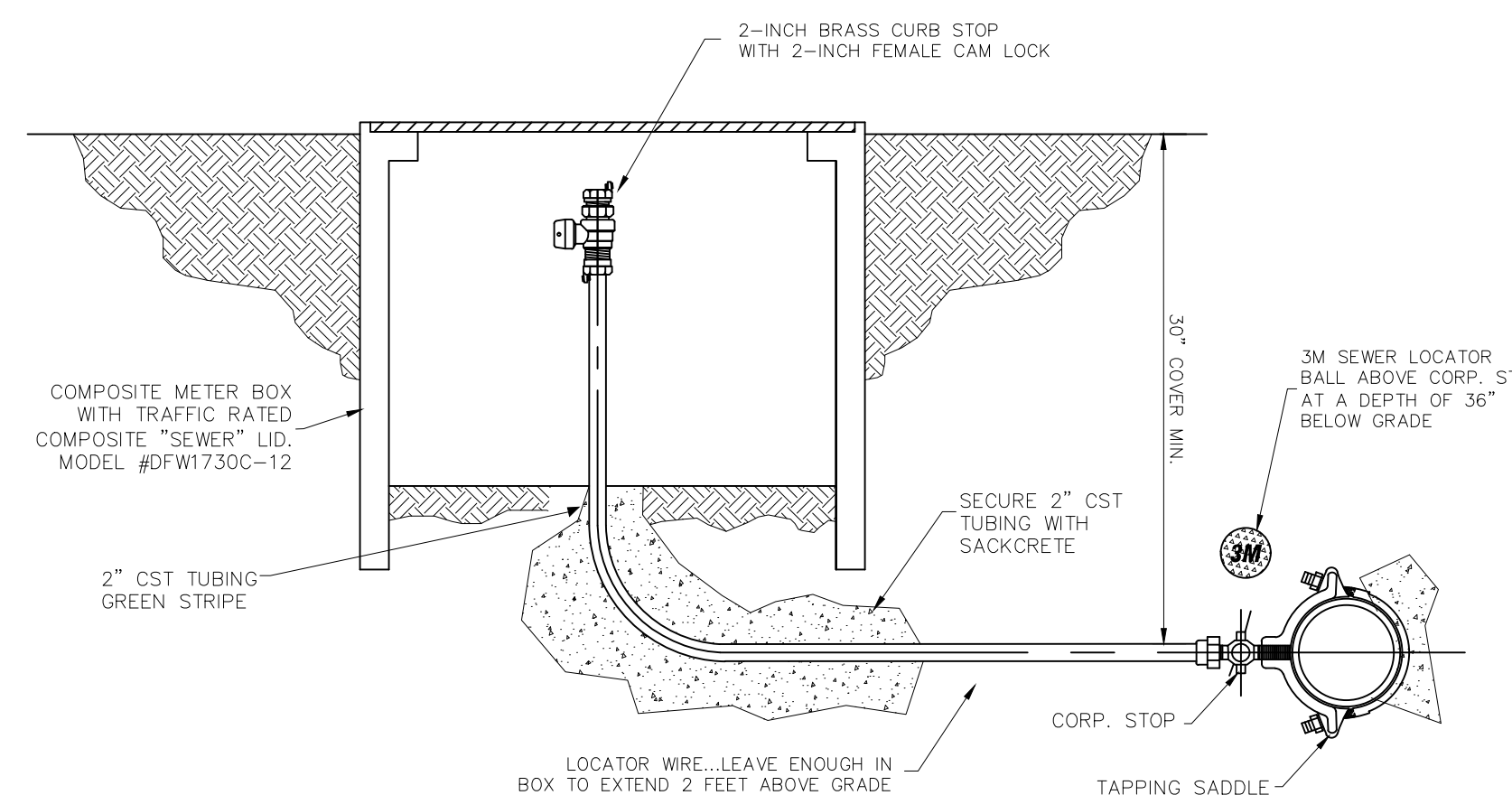


6 HDPE-TO-PVC CONNECTION (3" DIAMETER AND LARGER)
N.T.S.

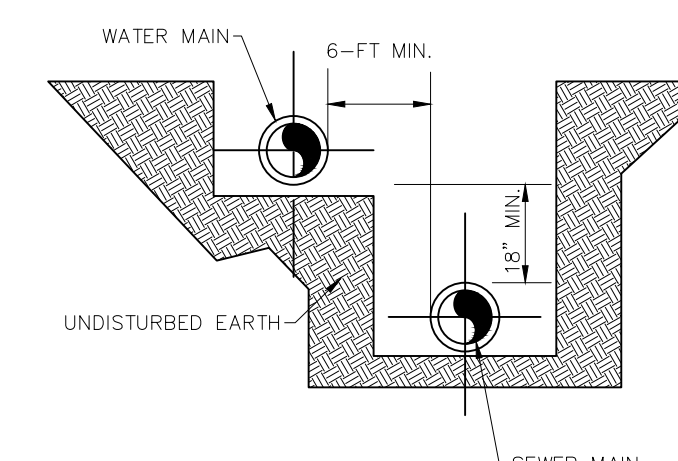


7 HDPE TO PVC TRANSITION (UP TO 2" DIAMETER)
N.T.S.

APPROVED FOR 2026

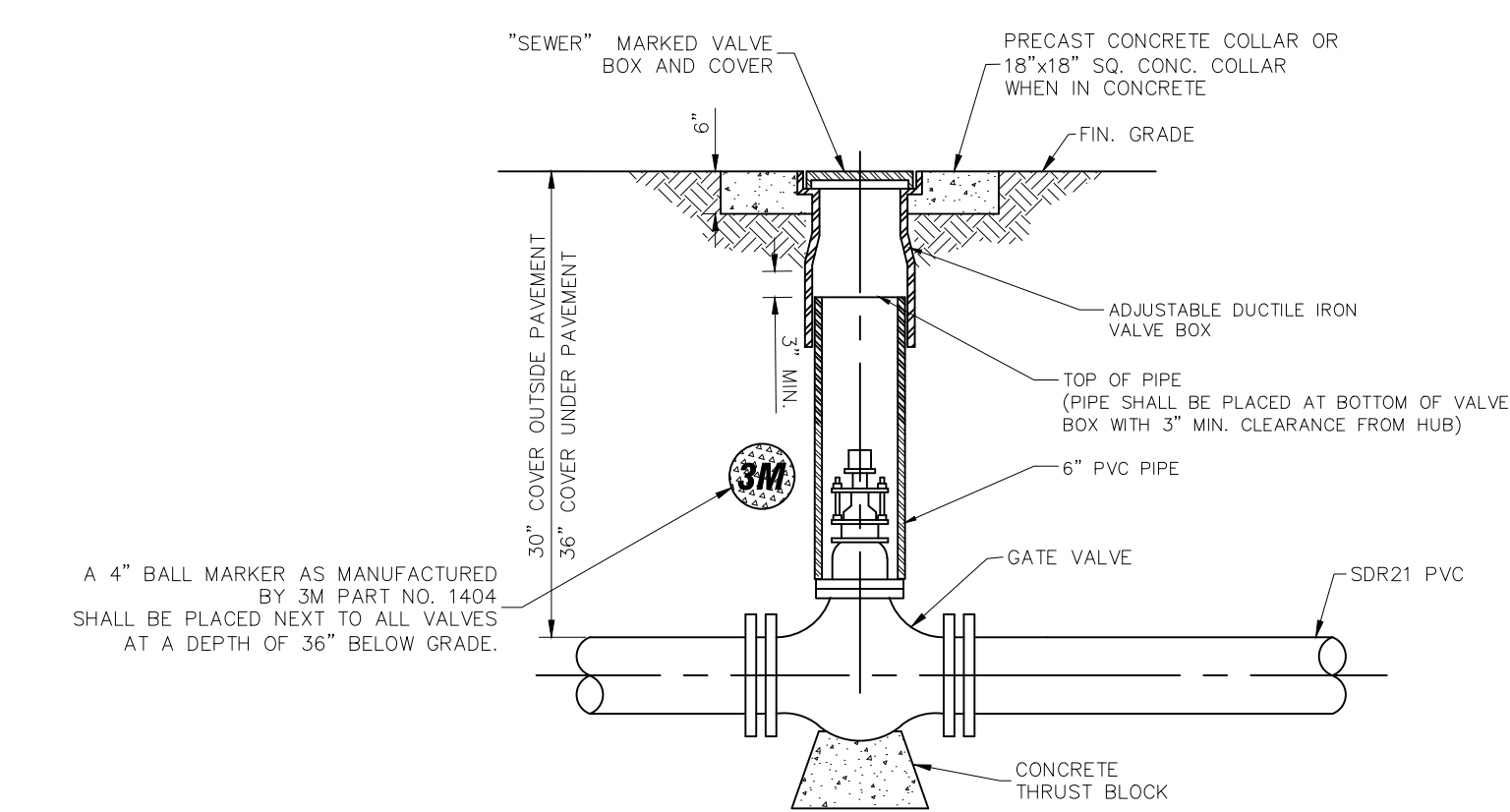


9 TYPICAL CLEANOUT
N.T.S.



10 WATER/SEWER SEPARATION DETAIL
MUST BE APPROVED BY FDEP

N.T.S.



8 TYPICAL INLINE VALVE
N.T.S.

- NOTE:
ALL BELOW GROUND VALVES REQUIRE VALVE BOX.
ALL PVC PIPE SHALL BE PRESSURE RATED
NO DWV FITTING SHALL BE ALLOWED

NOTES:

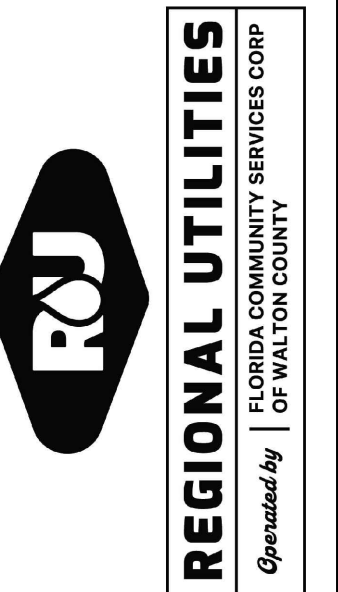
1. WHERE A 10 FOOT PARALLEL SEPARATION CANNOT BE MAINTAINED BETWEEN A WATER MAIN AND A SEWER MAIN OR NON-POTABLE WATER MAIN, THEN THE WATER MAIN SHALL BE LAID IN A SEPARATE TRENCH OR ON AN UNDISTURBED EARTH SHELF AT LEAST 18 INCHES ABOVE THE TOP OF THE SEWER MAIN OR NON-POTABLE WATER MAIN AND 6 FEET HORIZONTALLY FROM THE EDGE OF THE SEWER MAIN OR NON-POTABLE WATER MAIN.
2. ANYTHING LESS THAN SHOWN MUST BE APPROVED BY THE FLORIDA DEPARTMENT OF ENVIRONMENTAL PROTECTION.

NOTES:

1. WHERE A 18 INCH VERTICAL SEPARATION DISTANCE CANNOT BE MAINTAINED BETWEEN A WATER MAIN AND A SEWER MAIN OR NON-POTABLE WATER MAIN, CROSSING THEN THE WATER MAIN SHALL PASS OVER THE SEWER MAIN OR NON-POTABLE WATER MAIN WITH A MINIMUM VERTICAL CLEARANCE OF 12 INCHES. THE SEWER OR NON-POTABLE WATER MAIN SHALL BE 20 FEET OF 6" CONCRETE ENCASMENT CENTERED ON THE POINT OF CROSSING AND THE WATER MAIN SHALL BE 20 FEET OF 6" CONCRETE ENCASMENT CENTERED ON THE POINT OF CROSSING. CONCRETE ENCASMENT SHALL BE POURED SEPARATELY FOR EACH PIPE.
2. ANYTHING LESS THAN SHOWN MUST BE APPROVED BY THE FLORIDA DEPARTMENT OF ENVIRONMENTAL PROTECTION.

NO.	DATE	APPR.	NO.	NO.	REVISION
1	3/02/10		NO.		UPDATE CONSTRUCTION DETAILS
2	2/11/13		NO.		ADDED NEW AIR RELEASE VALVE

4432 HWY 98 EAST
SANTA ROSA BEACH, FL 32459
Phone: (850) 231-5114
WWW.REGIONALUTILITIES.NET



PRESSURE SEWER
STANDARD DETAILS

PROJECT NAME:
SHEET TITLE:

SEAL:

DRAWN BY: RT
CHECKED BY: RAD

PROJECT NO.:

DRAWING SCALE: N.T.S.

PLOT DATE:

SHEET NO. OF

SHEET PS-2